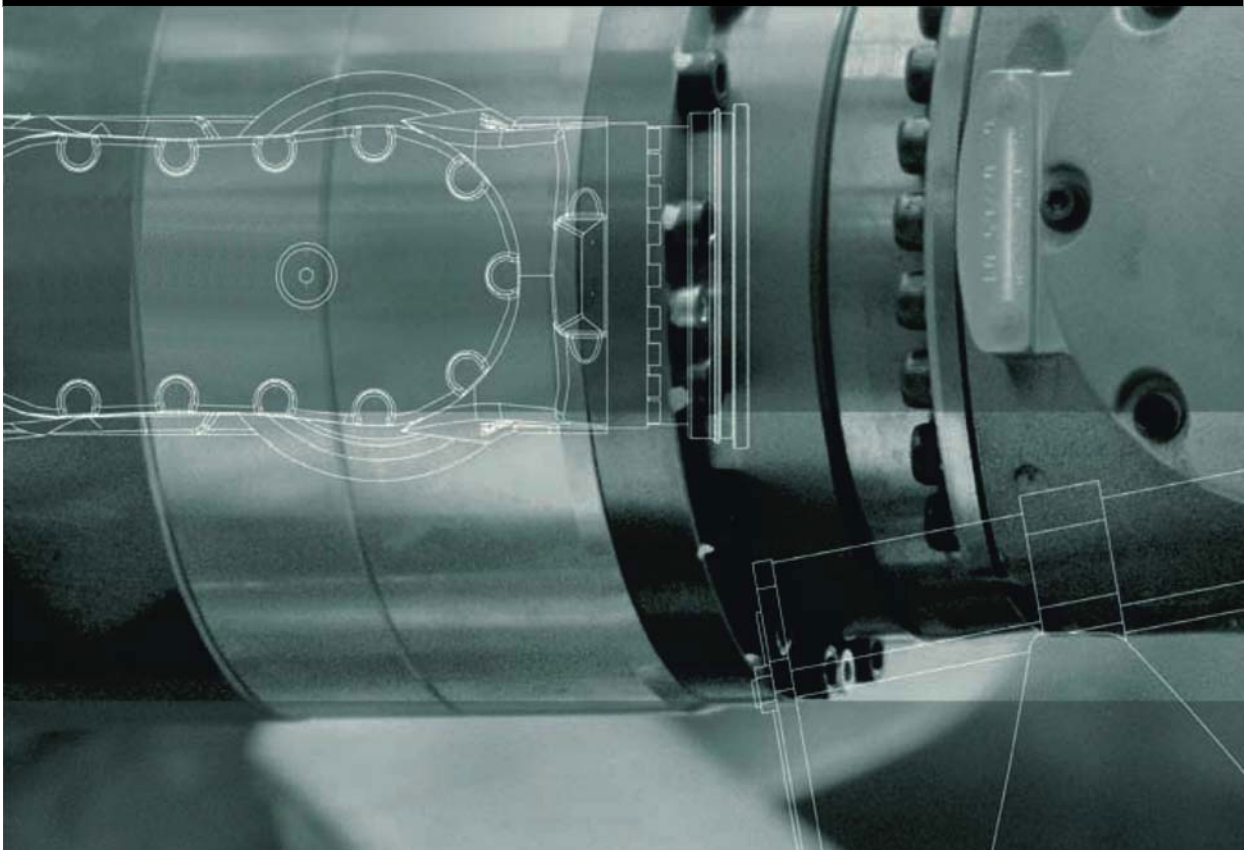


## KR CYBERTECH arc nano

### Specification



Issued: 11.01.2017

Version: Spez KR CYBERTECH arc nano V2



© Copyright 2016

KUKA Roboter GmbH  
Zugspitzstraße 140  
D-86165 Augsburg  
Germany

This documentation or excerpts therefrom may not be reproduced or disclosed to third parties without the express permission of KUKA Roboter GmbH.

Other functions not described in this documentation may be operable in the controller. The user has no claims to these functions, however, in the case of a replacement or service work.

We have checked the content of this documentation for conformity with the hardware and software described. Nevertheless, discrepancies cannot be precluded, for which reason we are not able to guarantee total conformity. The information in this documentation is checked on a regular basis, however, and necessary corrections will be incorporated in the subsequent edition.

Subject to technical alterations without an effect on the function.

Translation of the original documentation

KIM-PS5-DOC

Publication:	Pub Spez KR CYBERTECH arc nano (PDF) en
Book structure:	Spez KR CYBERTECH arc nano V2.2
Version:	Spez KR CYBERTECH arc nano V2

# Contents

<b>1</b>	<b>Introduction</b>	<b>5</b>
1.1	Industrial robot documentation	5
1.2	Representation of warnings and notes	5
<b>2</b>	<b>Purpose</b>	<b>7</b>
2.1	Target group	7
2.2	Intended use	7
<b>3</b>	<b>Product description</b>	<b>9</b>
3.1	Overview of the robot system	9
3.2	Description of the manipulator	10
<b>4</b>	<b>Technical data</b>	<b>13</b>
4.1	Technical data, KR 8 R1420 arc HW	13
4.1.1	Basic data, KR 8 R1420 arc HW	13
4.1.2	Axis data, KR 8 R1420 arc HW	14
4.1.3	Payloads, KR 8 R1420 arc HW	17
4.1.4	Loads acting on the foundation, KR 8 R1420 arc HW	21
4.1.5	Transport dimensions, KR 8 R1420 arc HW	22
4.2	Technical data, KR 8 R1620 arc HW	23
4.2.1	Basic data, KR 8 R1620 arc HW	23
4.2.2	Axis data, KR 8 R1620 arc HW	24
4.2.3	Payloads, KR 8 R1620 arc HW	27
4.2.4	Loads acting on the foundation, KR 8 R1620 arc HW	31
4.2.5	Transport dimensions, KR 8 R1620 arc HW	33
4.3	Technical data, KR 6 R1820 arc HW	33
4.3.1	Basic data, KR 6 R1820 arc HW	33
4.3.2	Axis data, KR 6 R1820 arc HW	34
4.3.3	Payloads, KR 6 R1820 arc HW	37
4.3.4	Loads acting on the foundation, KR 6 R1820 arc HW	41
4.3.5	Transport dimensions, KR 6 R1820 arc HW	43
4.4	Plates and labels	43
4.5	REACH duty to communicate information acc. to Art. 33 of Regulation (EC) 1907/2006	46
4.6	Stopping distances and times	46
4.6.1	General information	46
4.6.2	Terms used	47
4.6.3	Stopping distances and times, KR 8 R1420 arc HW	48
4.6.3.1	Stopping distances and stopping times for STOP 0, axis 1 to axis 3	48
4.6.3.2	Stopping distances and stopping times for STOP 1, axis 1	49
4.6.3.3	Stopping distances and stopping times for STOP 1, axis 2	51
4.6.3.4	Stopping distances and stopping times for STOP 1, axis 3	53
4.6.4	Stopping distances and times, KR 8 R1620 arc HW	53
4.6.4.1	Stopping distances and stopping times for STOP 0, axis 1 to axis 3	53
4.6.4.2	Stopping distances and stopping times for STOP 1, axis 1	54
4.6.4.3	Stopping distances and stopping times for STOP 1, axis 2	56
4.6.4.4	Stopping distances and stopping times for STOP 1, axis 3	58
4.6.5	Stopping distances and times, KR 6 R1820 arc HW	58
4.6.5.1	Stopping distances and stopping times for STOP 0, axis 1 to axis 3	58

4.6.5.2	Stopping distances and stopping times for STOP 1, axis 1 .....	59
4.6.5.3	Stopping distances and stopping times for STOP 1, axis 2 .....	61
4.6.5.4	Stopping distances and stopping times for STOP 1, axis 3 .....	63
<b>5</b>	<b>Safety</b> .....	<b>65</b>
5.1	General .....	65
5.1.1	Liability .....	65
5.1.2	Intended use of the industrial robot .....	66
5.1.3	EC declaration of conformity and declaration of incorporation .....	66
5.1.4	Terms used .....	67
5.2	Personnel .....	67
5.3	Workspace, safety zone and danger zone .....	68
5.4	Overview of protective equipment .....	69
5.4.1	Mechanical end stops .....	69
5.4.2	Mechanical axis limitation (optional) .....	69
5.4.3	Options for moving the manipulator without drive energy .....	69
5.4.4	Labeling on the industrial robot .....	70
5.5	Safety measures .....	70
5.5.1	General safety measures .....	70
5.5.2	Transportation .....	72
5.5.3	Start-up and recommissioning .....	72
5.5.4	Manual mode .....	73
5.5.5	Automatic mode .....	74
5.5.6	Maintenance and repair .....	74
5.5.7	Decommissioning, storage and disposal .....	76
5.6	Applied norms and regulations .....	76
<b>6</b>	<b>Planning</b> .....	<b>79</b>
6.1	Information for planning .....	79
6.2	Mounting base .....	79
6.3	Machine frame mounting .....	81
6.4	Connecting cables and interfaces .....	83
<b>7</b>	<b>Transportation</b> .....	<b>87</b>
7.1	Transporting the robot .....	87
<b>8</b>	<b>Options</b> .....	<b>91</b>
8.1	Release device (optional) .....	91
<b>9</b>	<b>KUKA Service</b> .....	<b>93</b>
9.1	Requesting support .....	93
9.2	KUKA Customer Support .....	93
	<b>Index</b> .....	<b>101</b>

# 1 Introduction

## 1.1 Industrial robot documentation

The industrial robot documentation consists of the following parts:


- Documentation for the manipulator
- Documentation for the robot controller
- Operating and programming instructions for the System Software
- Instructions for options and accessories
- Parts catalog on storage medium


Each of these sets of instructions is a separate document.


## 1.2 Representation of warnings and notes


### Safety


These warnings are relevant to safety and **must** be observed.

 **DANGER** These warnings mean that it is certain or highly probable that death or severe injuries **will** occur, if no precautions are taken.


 **WARNING** These warnings mean that death or severe injuries **may** occur, if no precautions are taken.

 **CAUTION** These warnings mean that minor injuries **may** occur, if no precautions are taken.

 **NOTICE** These warnings mean that damage to property **may** occur, if no precautions are taken.

 These warnings contain references to safety-relevant information or general safety measures.  
These warnings do not refer to individual hazards or individual precautionary measures.


This warning draws attention to procedures which serve to prevent or remedy emergencies or malfunctions:

 **SAFETY INSTRUCTIONS** The following procedure must be followed exactly!

Procedures marked with this warning **must** be followed exactly.

### Notices

These notices serve to make your work easier or contain references to further information.

 Tip to make your work easier or reference to further information.



## 2 Purpose

### 2.1 Target group

This documentation is aimed at users with the following knowledge and skills:

- Advanced knowledge of mechanical engineering
- Advanced knowledge of electrical and electronic systems
- Knowledge of the robot controller system



For optimal use of our products, we recommend that our customers take part in a course of training at KUKA College. Information about the training program can be found at [www.kuka.com](http://www.kuka.com) or can be obtained directly from our subsidiaries.

### 2.2 Intended use

**Use** The industrial robot is intended for handling tools and fixtures or for processing and transferring components or products. Use is only permitted under the specified environmental conditions.

**Misuse** Any use or application deviating from the intended use is deemed to be misuse and is not allowed. This includes e.g.:

- Transportation of persons and animals
- Use as a climbing aid
- Use outside the permissible operating parameters
- Use in potentially explosive environments
- Operation in underground mining

#### **NOTICE**

Changing the structure of the manipulator, e.g. by drilling holes, etc., can result in damage to the components. This is considered improper use and leads to loss of guarantee and liability entitlements.

#### **NOTICE**

Deviations from the operating conditions specified in the technical data or the use of special functions or applications can lead to premature wear. KUKA Roboter GmbH must be consulted.



The robot system is an integral part of a complete system and may only be operated in a CE-compliant system.





## 3 Product description

### 3.1 Overview of the robot system

A robot system comprises all the assemblies of an industrial robot, including the manipulator (mechanical system and electrical installations), control cabinet, connecting cables, end effector (tool) and other equipment. The KR CYBERTECH arc nano product family comprises the robot variants:

- KR 8 R1420 arc HW
- KR 8 R1620 arc HW
- KR 6 R1820 arc HW

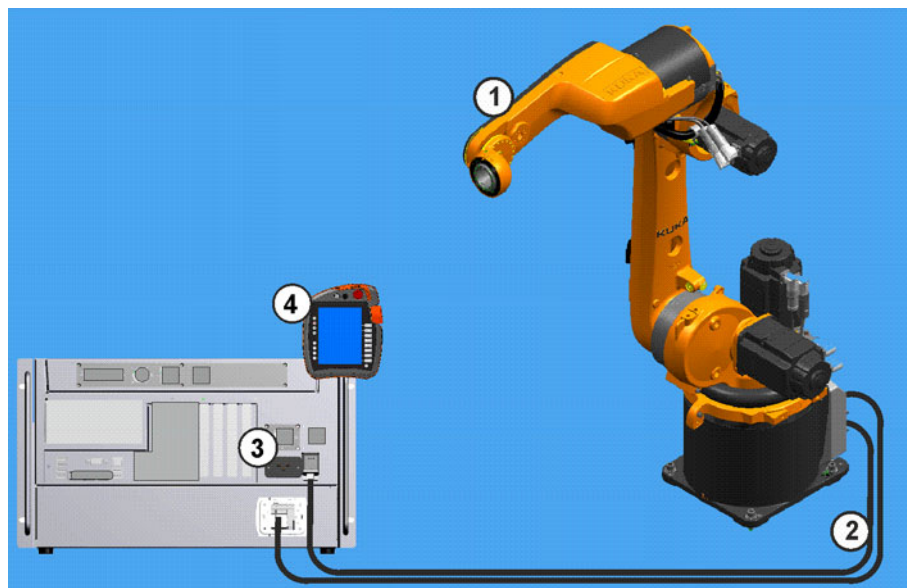
These robot variants are fitted with a hollow-shaft in-line wrist. All robots can be operated with the

- KR C4 compact or
- KR C4 smallsize-2

controller.

An industrial robot of this product family comprises the following components:

- Manipulator
- Robot controller
- Connecting cables
- KCP teach pendant (KUKA smartPAD)
- Software
- Options, accessories



**Fig. 3-1: Example of a robot system with KR C4 compact**

- |                     |                                   |
|---------------------|-----------------------------------|
| 1 Manipulator       | 3 Robot controller, KR C4 compact |
| 2 Connecting cables | 4 Teach pendant, KUKA smart-PAD   |

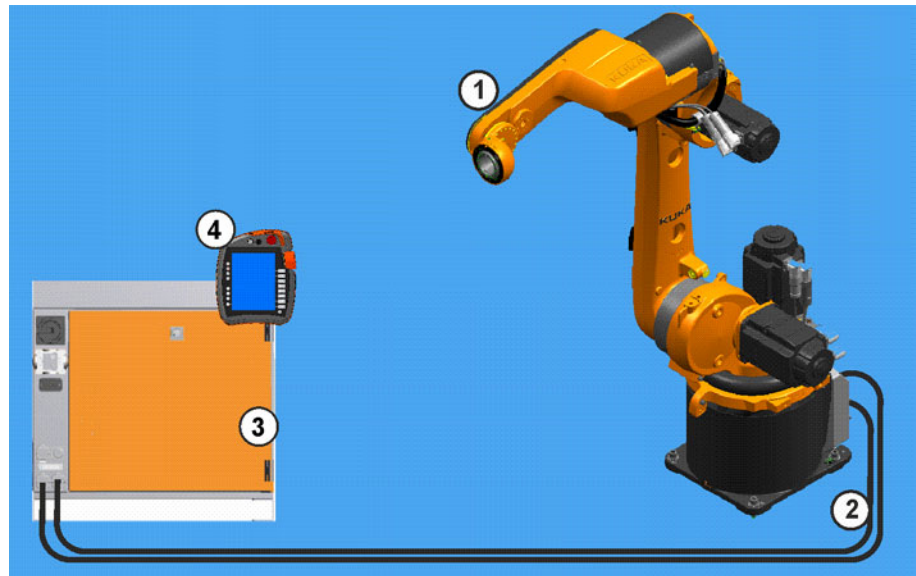


Fig. 3-2: Example of a robot system with KR C4 smallsize-2

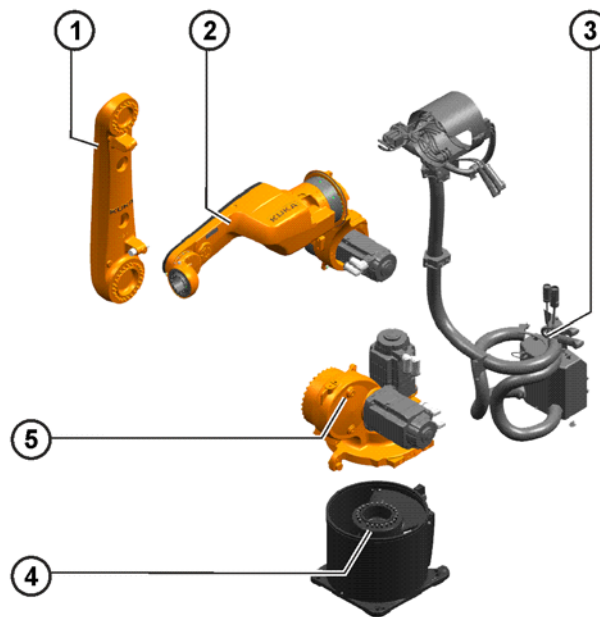
- |                     |                                       |
|---------------------|---------------------------------------|
| 1 Manipulator       | 3 Robot controller, KR C4 smallsize-2 |
| 2 Connecting cables | 4 Teach pendant, KUKA smart-PAD       |

### 3.2 Description of the manipulator

#### Overview

The manipulators (manipulator = robot arm and electrical installations) (>>> Fig. 3-3 ) of the KR CYBERTECH arc nano robot family are designed as 6-axis jointed-arm kinematic systems. They consist of the following principal components:

- Hollow-shaft wrist/arm
- Link arm
- Rotating column
- Base frame
- Electrical installations



**Fig. 3-3: Main assemblies of the manipulator**

- |   |                          |   |                 |
|---|--------------------------|---|-----------------|
| 1 | Link arm                 | 4 | Base frame      |
| 2 | Hollow-shaft wrist/arm   | 5 | Rotating column |
| 3 | Electrical installations |   |                 |

The robot is fitted with mechanical limit stops in axes 1 to 5. These limit stops serve to protect the machine only. In order to ensure protection of personnel, one of the following additional safety measures (options) must be used:

- Safe workspace limitation implemented in the software using Safe Robot and taking the stopping distances into consideration
- Supplementary mechanical stops for the main axes

#### **Hollow-shaft wrist/arm**

The robot can be equipped with a triple-axis hollow-shaft wrist/arm combination for a payload of 6 to 8 kg. This design enables the supply lines to be routed directly through the wrist to the tool without cables and hoses of the energy supply system representing a hindrance. The assembly is screwed directly to the link arm of the robot via gear unit A3. This hollow-shaft wrist/arm combination is available in two length variants. End effectors are attached to the mounting flange of axis 6.

Axes A4, A5 and A6 each have a measuring device, with which the mechanical zero of the respective axis can be checked by means of an electronic probe (accessory) and transferred to the controller. Directions of rotation, axis data and permissible loads can be found in the chapter (>>> 4 "Technical data" Page 13).

The hollow-shaft wrist is driven by the motors inside it. Power is transmitted within the wrist directly to gear unit A4 for axis 4 and via a toothed belt stage to gear unit A5 for axis 5. For axis 6, a bevel gear stage is used after the toothed belt stage.

#### **Link arm**

The link arm is the assembly located between the arm and the rotating column. It consists of the link arm body with the buffers for axis 2 and the measurement notch for axis 3. The link arm is available in two length variants.

#### **Rotating column**

The rotating column houses the gear units and motors A1 and A2. The rotational motion of axis 1 is performed by the rotating column. This is screwed to the base frame via the gear unit of axis 1 and is driven by a motor in the rotating column. The link arm is also mounted in the rotating column.

- Base frame** The base frame is the base of the robot. It is screwed to the mounting base. The flexible tube for the electrical installations is installed in the base frame. Also located on the rear of the base frame is the combo box for the motor and data cable.
- Electrical installations** The electrical installations include all the motor and control cables for the motors of axes 1 to 6. The complete electrical installations consist of cable set A1 - A6. The following variant is available:
- KR C4 robot cable set A1 - A6
- Included in the electrical installations are the relevant cable harness and the combo box with cover. The connecting cables to the controller are connected at the combo box.
- All connections are implemented as connectors in order to enable the main axis motors to be exchanged quickly and reliably. The electrical installations also include a protective circuit. The ground conductors to the robot are connected to the base frame by means of ring cable lugs and setscrews.
- Options** The robot can be fitted and operated with various options, such as range limitation systems for axes 1 to 3. The options are described in separate documentation.

## 4 Technical data

### 4.1 Technical data, KR 8 R1420 arc HW

#### 4.1.1 Basic data, KR 8 R1420 arc HW

##### Basic data

	KR 8 R1420 arc HW
Number of axes	6
Number of controlled axes	6
Volume of working envelope	10.68 m <sup>3</sup>
Pose repeatability (ISO 9283)	± 0.04 mm
Weight	approx. 179 kg
Rated payload	8 kg
Maximum reach	1421 mm
Protection rating	IP54
Protection rating, in-line wrist	IP54
Sound level	< 75 dB (A)
Mounting position	Floor; Ceiling; Wall
Footprint	333.5 mm x 307 mm
Permissible angle of inclination	-
Default color	Base frame: black (RAL 9005); Moving parts: KUKA orange 2567
Controller	KR C4 smallsize-2; KR C4 compact
Transformation name	KR C4: KR8R1420 arc HW C4

##### Ambient conditions

Humidity class (EN 60204)	-
Classification of environmental conditions (EN 60721-3-3)	3K3
Ambient temperature	
During operation	5 °C to 45 °C (278 K to 318 K)
During storage/transportation	-20 °C to 60 °C (253 K to 333 K)



For operation at low temperatures, it may be necessary to warm up the robot.

##### Connecting cables

Cable designation	Connector designation robot controller - robot	Interface with robot
Motor cable	X20 - X30	HAN Yellock 30
Data cable	X21 - X31	HAN Q12
Ground conductor / equipotential bonding 4 mm <sup>2</sup> (can be ordered as an option)		M4 ring cable lug at both ends

Cable lengths	
Standard	1 m, 4 m, 7 m, 15 m, 25 m
Minimum bending radius	5x D

For detailed specifications of the connecting cables, see “Description of the connecting cables”.

4.1.2 Axis data, KR 8 R1420 arc HW

Axis data

Motion range	
A1	±170 °
A2	-185 ° / 65 °
A3	-120 ° / 180 °
A4	±165 °
A5	-115 ° / 140 °
A6	±350 °
Speed with rated payload	
A1	220 °/s
A2	210 °/s
A3	270 °/s
A4	430 °/s
A5	430 °/s
A6	630 °/s

The direction of motion and the arrangement of the individual axes may be noted from the following diagram.

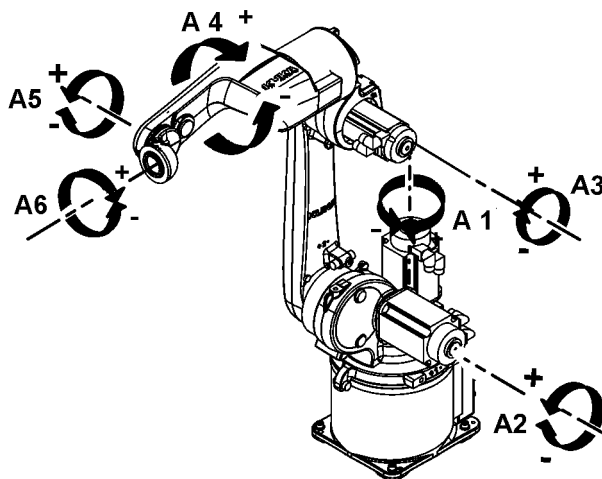


Fig. 4-1: Direction of rotation of robot axes

Mastering positions

Mastering position	
A1	38 °
A2	-110 °
A3	110 °
A4	0 °
A5	0 °
A6	0 °

## Working envelope

The following diagrams show the shape and size of the working envelope for these variants of this product family.

The reference point for the working envelope is the intersection of axes 4 and 5.

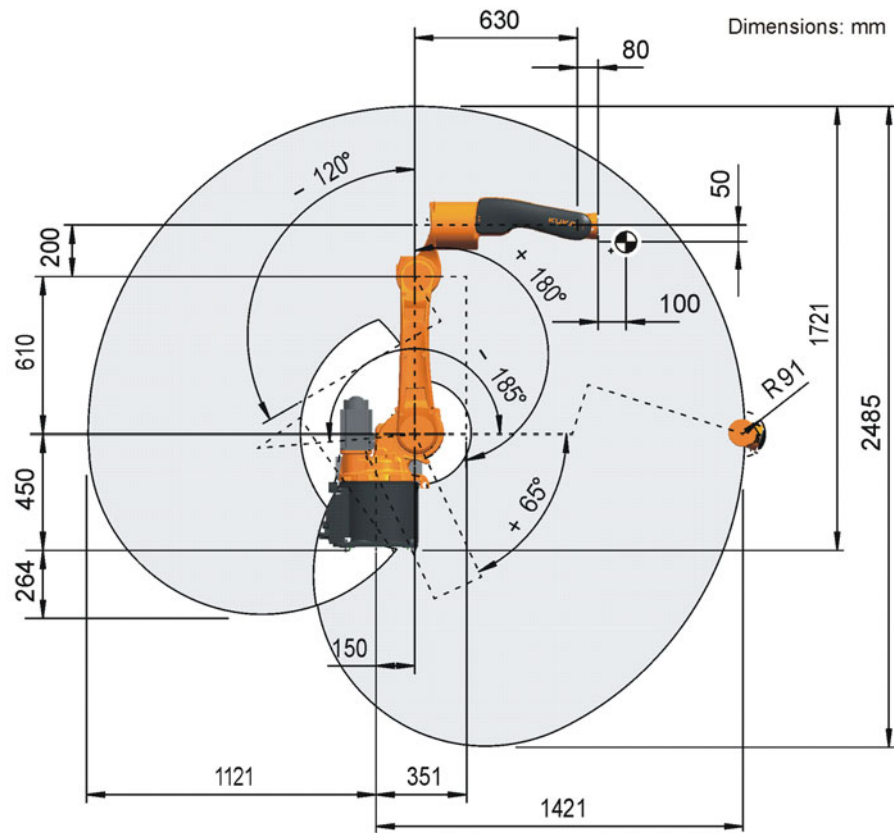
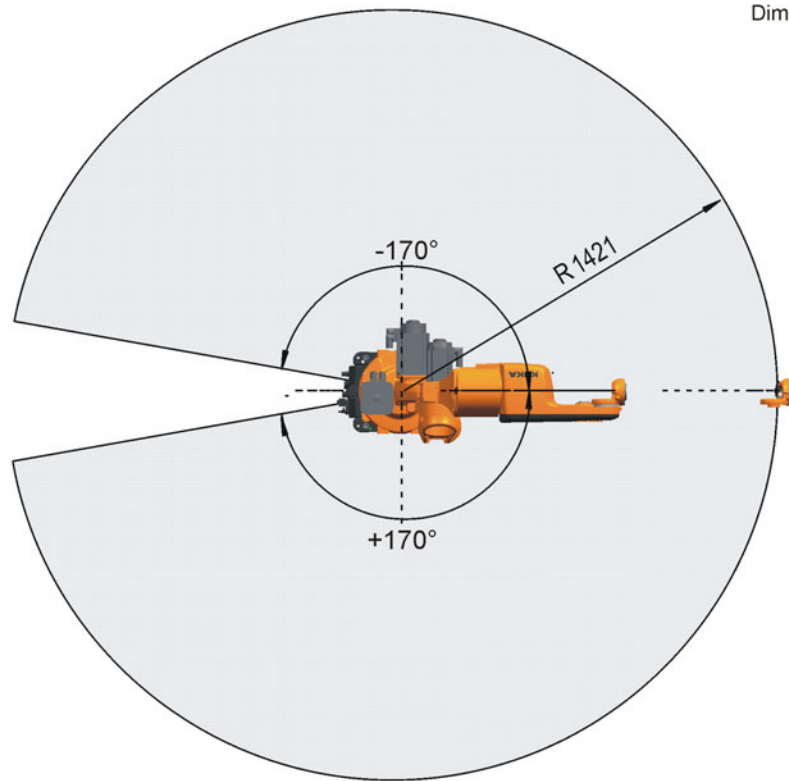


Fig. 4-2: Working envelope, side view, KR 8 R1420 arc HW

Dimensions: mm



**Fig. 4-3: Working envelope, top view, KR 8 R1420 arc HW**

### Inclined installation

The robot can be installed anywhere from a 0° position (floor) to a 180° position (ceiling). This type of installation results in limitations to the range of motion in the plus and minus directions about axis 1. The following figure shows the possible limitation of the motion range of axis 1, as a function of the angle of inclination of the robot.

The inclination angles for the robot must be entered correctly into the controller if the robot is not operated in the floor-mounted position. A configuration of the angles is possible via WorkVisual.

The inclination angles for an unchanged main working direction of the robot:

Floor: A:0°, B:0°, C:0°

Wall: A:0°, B:90°, C:0°

Ceiling: A:0°, B:0°, C:180°



**CAUTION** The inclined installation angles must be individually checked and entered. An incorrectly entered inclined installation angle can lead to unforeseen motion and/or to an overload and, potentially, damage to the robot.



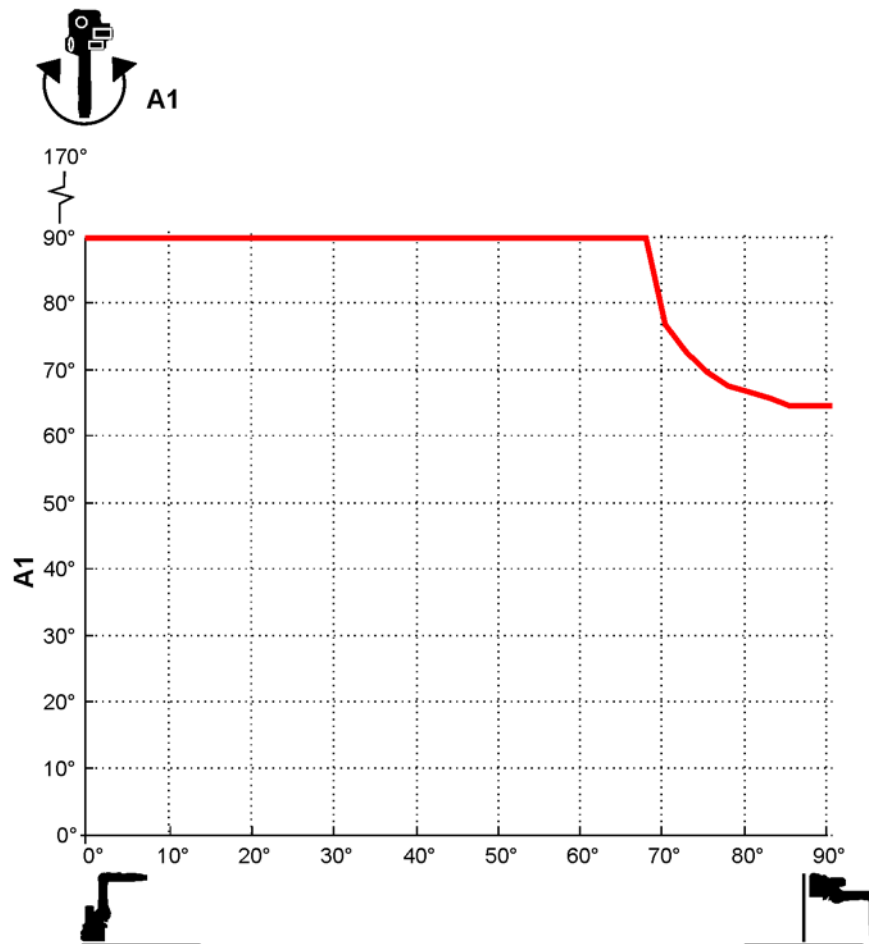


Fig. 4-4: Motion range, axis 1 inclined

#### 4.1.3 Payloads, KR 8 R1420 arc HW

##### Payloads

Rated payload	8 kg
Rated mass moment of inertia	0.1 kgm <sup>2</sup>
Rated total load	18 kg
Rated supplementary load, base frame	0 kg
Maximum supplementary load, base frame	0 kg
Rated supplementary load, rotating column	0 kg
Maximum supplementary load, rotating column	20 kg
Rated supplementary load, link arm	0 kg
Maximum supplementary load, link arm	15 kg
Rated supplementary load, arm	10 kg
Maximum supplementary load, arm	15 kg
Nominal distance to load center of gravity	
Lxy	50 mm
Lz	100 mm

**Load center of gravity**

For all payloads, the load center of gravity refers to the distance from the face of the mounting flange on axis 6. Refer to the payload diagram for the nominal distance.

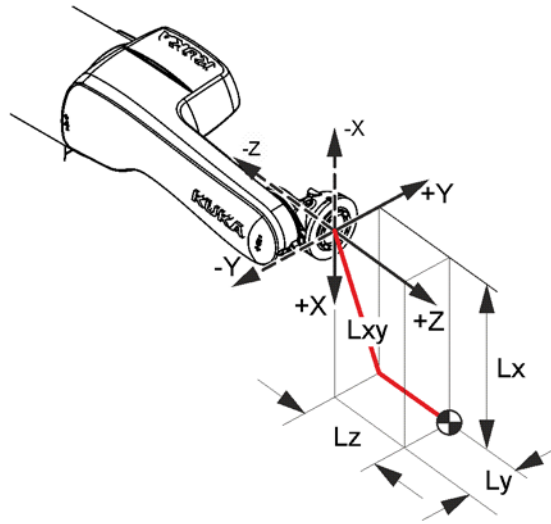


Fig. 4-5: Load center of gravity

**Payload diagram**

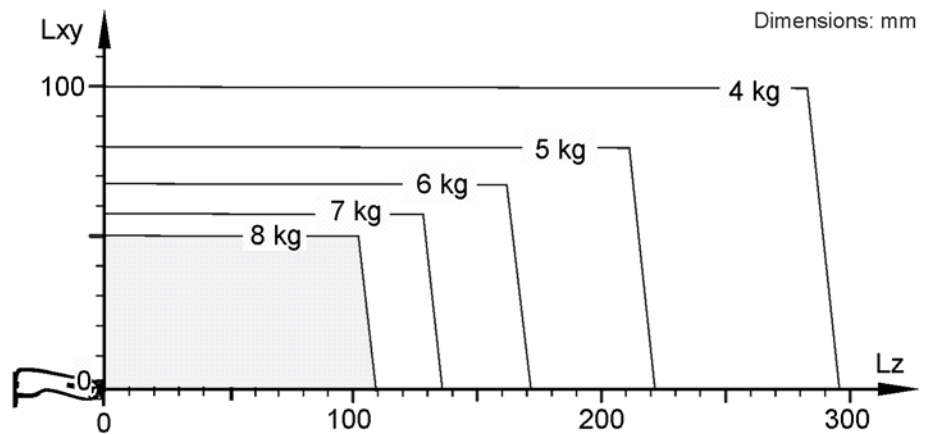


Fig. 4-6: Payload diagram, KR 8 R1420 arc HW

**NOTICE** This loading curve corresponds to the maximum load capacity. Both values (payload and mass moment of inertia) must be checked in all cases. Exceeding this capacity will reduce the service life of the robot and overload the motors and the gears; in any such case KUKA Roboter GmbH must be consulted beforehand. The values determined here are necessary for planning the robot application. For commissioning the robot, additional input data are required in accordance with the operating and programming instructions of the KUKA System Software. The mass inertia must be verified using KUKA.Load. It is imperative for the load data to be entered in the robot controller!

**Hollow-shaft wrist**

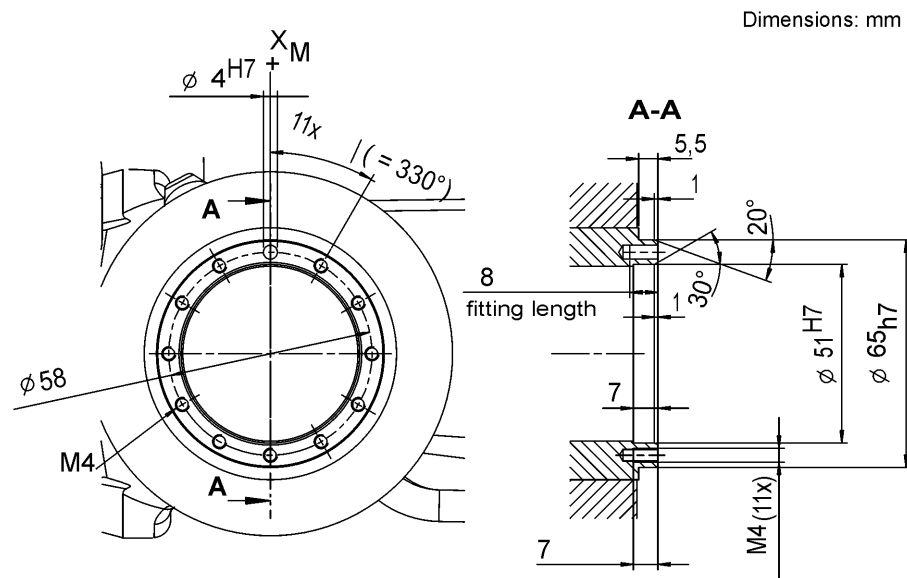
In-line wrist type	ZH 8 HW
Mounting flange	see drawing

**HW mounting flange**

Mounting flange (hole circle)	58 mm
Screw grade	10.9
Screw size	M4

Number of fastening threads	11
Clamping length	1.5 x nominal diameter
Depth of engagement	min. 4 mm, max. 7 mm
Locating element	4 H7
Hollow shaft, diameter	50 mm

The mounting flange is depicted (>>> Fig. 4-7 ) with axes 4 and 6 in the zero position. The symbol  $X_m$  indicates the position of the locating element (bushing) in the zero position.



**Fig. 4-7: Mounting flange**

### Supplementary load

The robot can carry supplementary loads on the arm, link arm and rotating column. When mounting the supplementary loads, be careful to observe the maximum permissible load on the individual axes. The supplementary load must be entered in KUKA Load when planning the robot application. It is essential that this load, together with all other loads, is applied in the controller during start-up!

The dimensions and positions of the installation options can be seen in the following diagram.

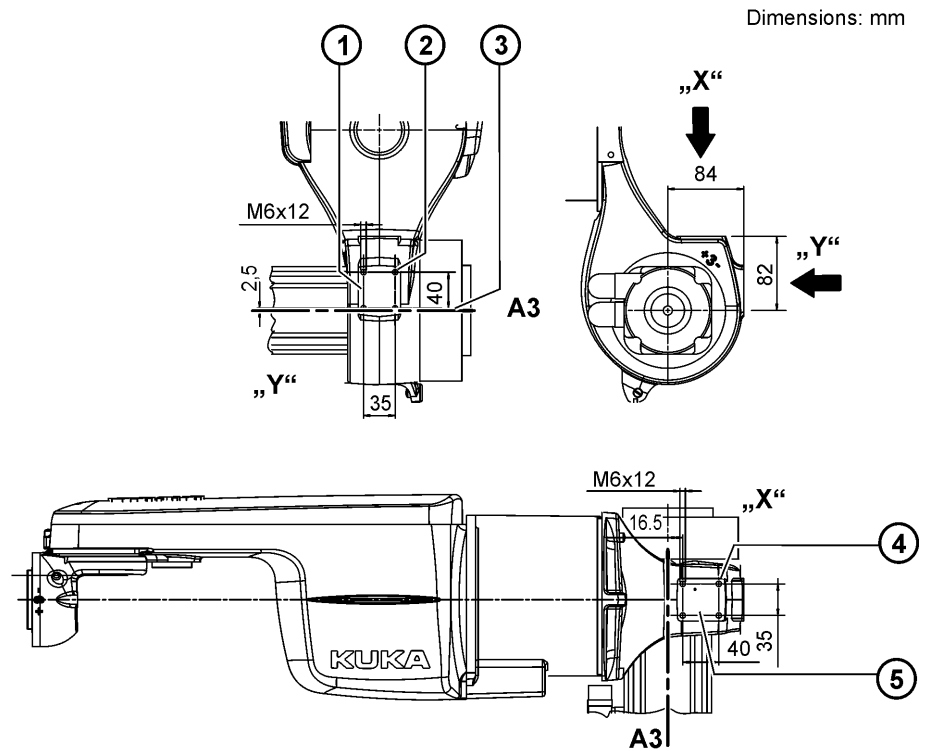


Fig. 4-8: Fastening the supplementary load, arm

- 1 Mounting surface on arm, rear
- 2 M6 fastening holes, rear
- 3 Plane of rotation, axis 3
- 4 M6 fastening holes, top
- 5 Mounting surface on arm, top

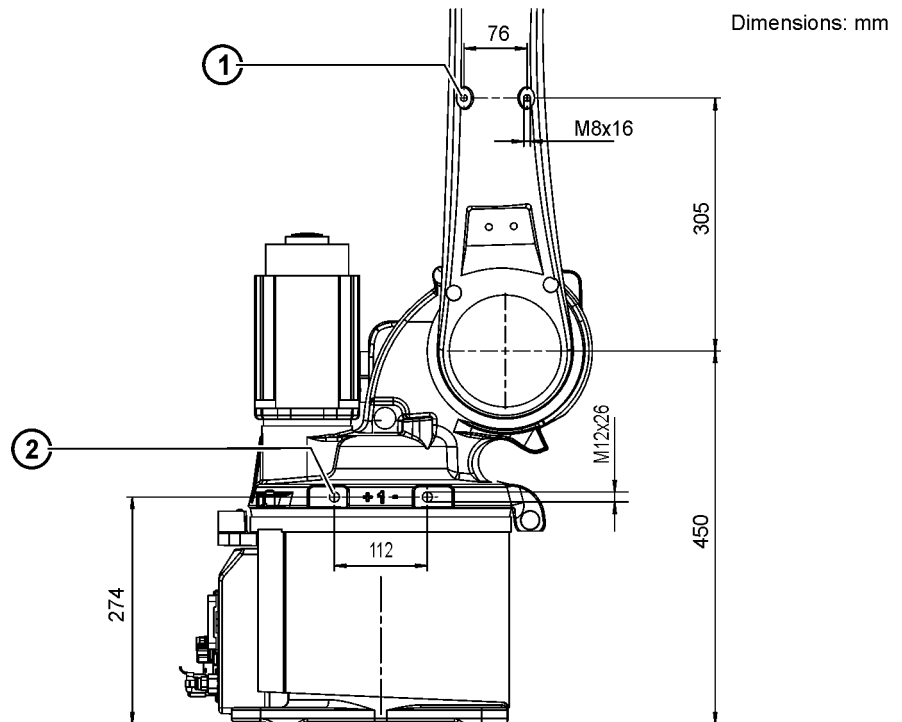


Fig. 4-9: Fastening the supplementary load, link arm/rotating column

- 1 Mounting surface on link arm
- 2 Mounting surface on rotating column, both sides

#### 4.1.4 Loads acting on the foundation, KR 8 R1420 arc HW

**Foundation loads** The specified forces and moments already include the payload and the inertia force (weight) of the robot.

Foundation loads for floor mounting position	
F(v normal)	2469 N
F(v max)	2599 N
F(h normal)	1114 N
F(h max)	1376 N
M(k normal)	1523 Nm
M(k max)	2040 Nm
M(r normal)	1029 Nm
M(r max)	1149 Nm
Foundation loads for ceiling mounting position	
F(v normal)	2712 N
F(v max)	2794 N
F(h normal)	1282 N
F(h max)	1624 N
M(k normal)	1832 Nm
M(k max)	2329 Nm
M(r normal)	1029 Nm
M(r max)	1149 Nm
Foundation loads for wall mounting position	
F(v normal)	800 N
F(v max)	1000 N
F(h normal)	2748 N
F(h max)	2987 N
M(k normal)	2562 Nm
M(k max)	2701 Nm
M(r normal)	947 Nm
M(r max)	1126 Nm

Vertical force F(v), horizontal force F(h), tilting torque M(k), torque about axis 1 M(r)

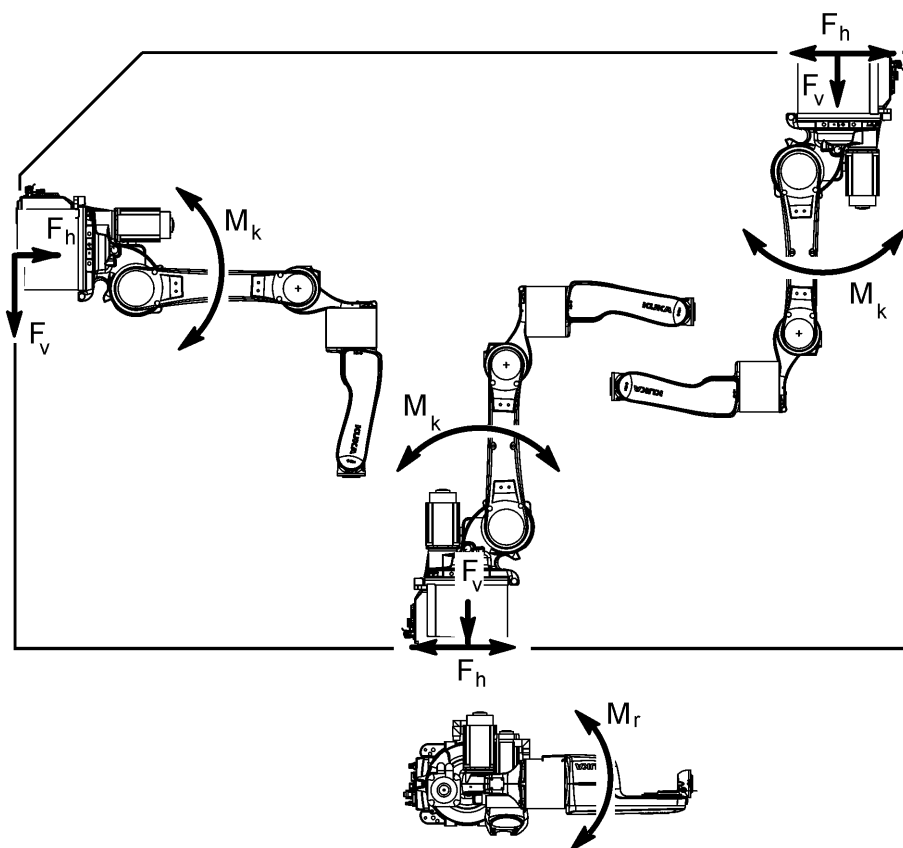


Fig. 4-10: Foundation loads

**⚠ WARNING**

Normal loads and maximum loads for the foundations are specified in the table.

The maximum loads must be referred to when dimensioning the foundations and must be adhered to for safety reasons. Failure to observe this can result in personal injury and damage to property.

The normal loads are average expected foundation loads. The actual loads are dependent on the program and on the robot loads and may therefore be greater or less than the normal loads.

The supplementary loads (A1 and A2) are not taken into consideration in the calculation of the mounting base load. These supplementary loads must be taken into consideration for  $F_v$ .

#### 4.1.5 Transport dimensions, KR 8 R1420 arc HW

The transport dimensions for the robots can be noted from the following diagrams (>>> Fig. 4-11 ). The position of the center of gravity and the weight vary according to the specific configuration. The specified dimensions refer to the robot without equipment. The following diagram shows the dimensions of the robot when it stands on the floor without wooden transport blocks.

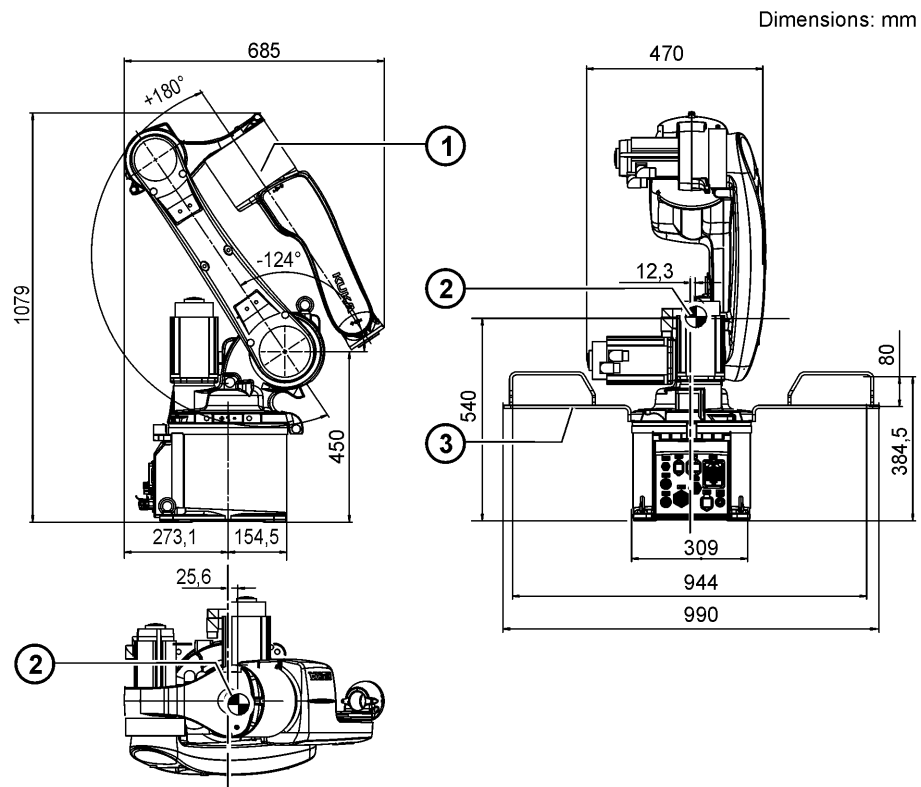


Fig. 4-11: Transport dimensions

- |   |                   |   |            |
|---|-------------------|---|------------|
| 1 | Robot             | 3 | Fork slots |
| 2 | Center of gravity |   |            |

## 4.2 Technical data, KR 8 R1620 arc HW

### 4.2.1 Basic data, KR 8 R1620 arc HW


#### Basic data

	KR 8 R1620 arc HW
Number of axes	6
Number of controlled axes	6
Volume of working envelope	15.97 m <sup>3</sup>
Pose repeatability (ISO 9283)	± 0.04 mm
Weight	approx. 184 kg
Rated payload	8 kg
Maximum reach	1621 mm
Protection rating	IP54
Protection rating, in-line wrist	IP54
Sound level	< 75 dB (A)
Mounting position	Floor; Ceiling; Wall
Footprint	333.5 mm x 307 mm
Permissible angle of inclination	-
Default color	Base frame: black (RAL 9005); Moving parts: KUKA orange 2567

	<b>KR 8 R1620 arc HW</b>
Controller	KR C4 smallsize-2; KR C4 compact
Transformation name	KR C4: KR8R1620 arc HW C4

**Ambient conditions**

Humidity class (EN 60204)	-
Classification of environmental conditions (EN 60721-3-3)	3K3
Ambient temperature	
During operation	5 °C to 45 °C (278 K to 318 K)
During storage/transportation	-20 °C to 60 °C (253 K to 333 K)

	For operation at low temperatures, it may be necessary to warm up the robot.
---	--

**Connecting cables**

Cable designation	Connector designation robot controller - robot	Interface with robot
Motor cable	X20 - X30	HAN Yellock 30
Data cable	X21 - X31	HAN Q12
Ground conductor / equipotential bonding 4 mm <sup>2</sup> (can be ordered as an option)		M4 ring cable lug at both ends

Cable lengths	
Standard	1 m, 4 m, 7 m, 15 m, 25 m

Minimum bending radius	5x D
------------------------	------

For detailed specifications of the connecting cables, see “Description of the connecting cables”.

**4.2.2 Axis data, KR 8 R1620 arc HW**

**Axis data**

Motion range	
A1	±170 °
A2	-185 ° / 65 °
A3	-120 ° / 180 °
A4	±165 °
A5	-115 ° / 140 °
A6	±350 °
Speed with rated payload	
A1	220 °/s
A2	178 °/s
A3	270 °/s
A4	430 °/s
A5	430 °/s
A6	630 °/s



The direction of motion and the arrangement of the individual axes may be noted from the following diagram.

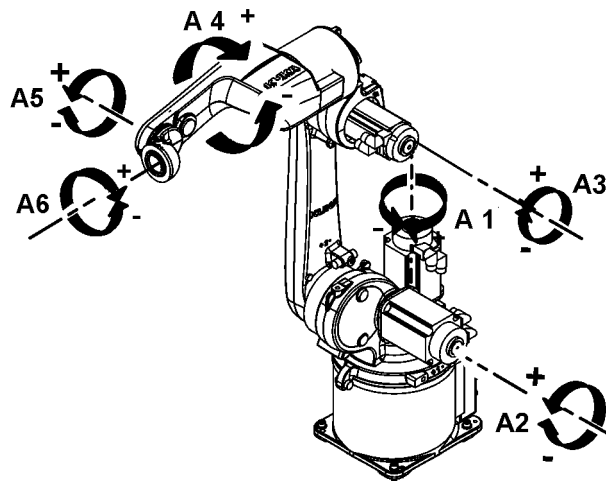


Fig. 4-12: Direction of rotation of robot axes

#### Mastering positions

Mastering position	
A1	38 °
A2	-110 °
A3	110 °
A4	0 °
A5	0 °
A6	0 °

#### Working envelope

The following diagrams show the shape and size of the working envelope for these variants of this product family.

The reference point for the working envelope is the intersection of axes 4 and 5.

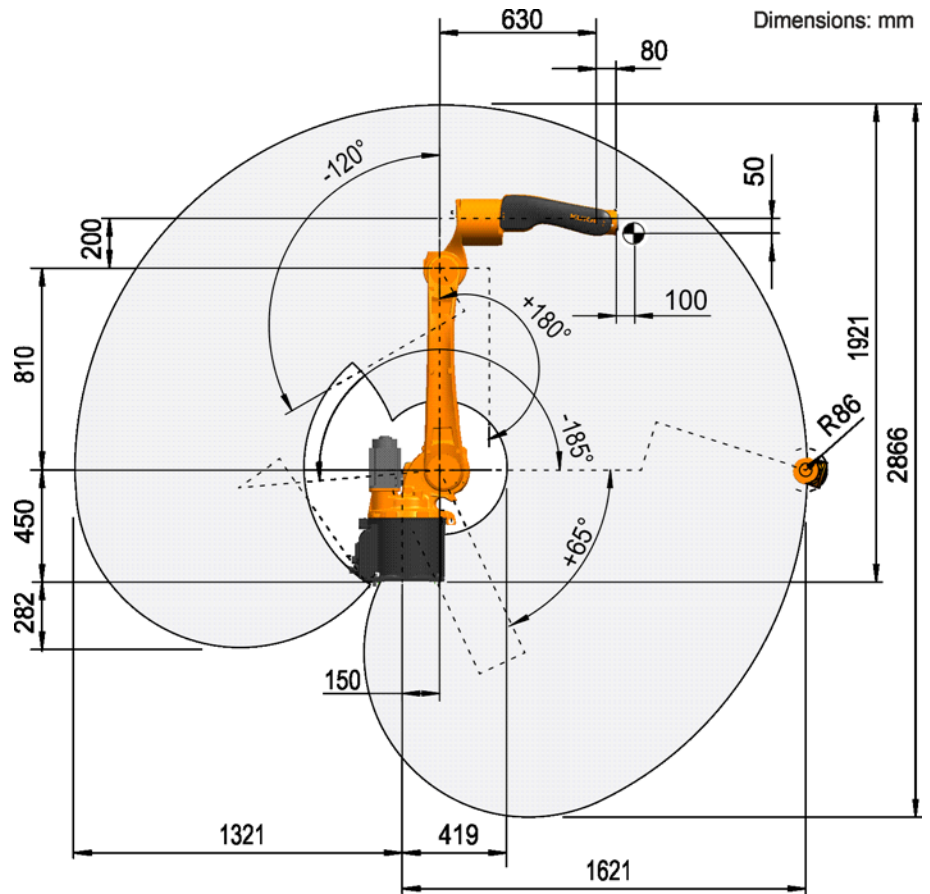


Fig. 4-13: Working envelope, side view, KR 8 R1620 arc HW

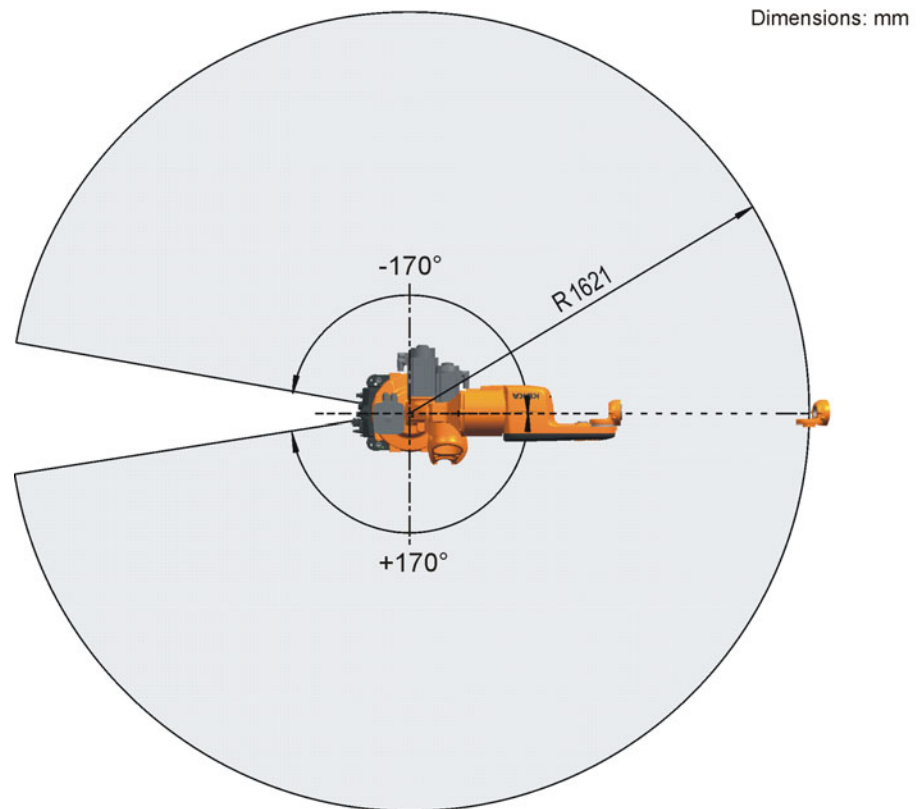


Fig. 4-14: Working envelope, top view, KR 8 R1620 arc HW

## Inclined installation

The robot can be installed anywhere from a 0° position (floor) to a 180° position (ceiling). This type of installation results in limitations to the range of motion in the plus and minus directions about axis 1. The following figure shows the possible limitation of the motion range of axis 1, as a function of the angle of inclination of the robot.

The inclination angles for the robot must be entered correctly into the controller if the robot is not operated in the floor-mounted position. A configuration of the angles is possible via WorkVisual.

The inclination angles for an unchanged main working direction of the robot:

Floor: A:0°, B:0°, C:0°

Wall: A:0°, B:90°, C:0°

Ceiling: A:0°, B:0°, C:180°

**CAUTION** The inclined installation angles must be individually checked and entered. An incorrectly entered inclined installation angle can lead to unforeseen motion and/or to an overload and, potentially, damage to the robot.

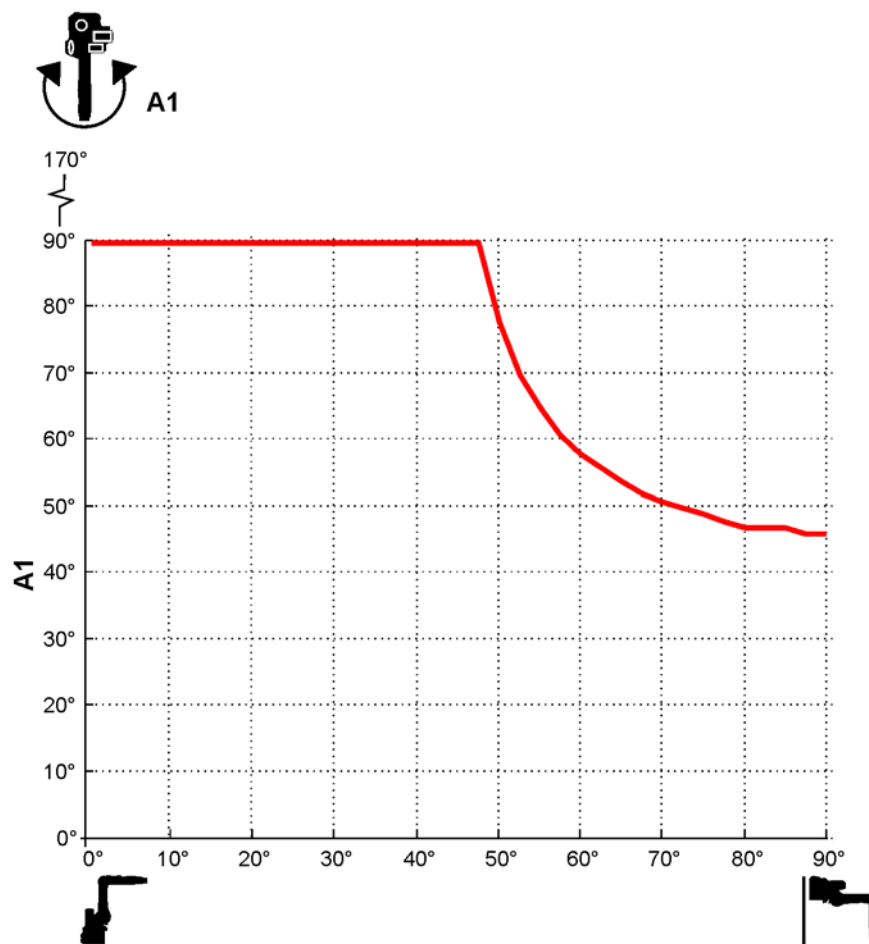


Fig. 4-15: Motion range, axis 1 inclined

### 4.2.3 Payloads, KR 8 R1620 arc HW

#### Payloads

Rated payload	8 kg
Rated mass moment of inertia	0.1 kgm <sup>2</sup>
Rated total load	18 kg

Rated supplementary load, base frame	0 kg
Maximum supplementary load, base frame	0 kg
Rated supplementary load, rotating column	0 kg
Maximum supplementary load, rotating column	20 kg
Rated supplementary load, link arm	0 kg
Maximum supplementary load, link arm	15 kg
Rated supplementary load, arm	10 kg
Maximum supplementary load, arm	15 kg
Nominal distance to load center of gravity	
Lxy	50 mm
Lz	100 mm

**Load center of gravity**

For all payloads, the load center of gravity refers to the distance from the face of the mounting flange on axis 6. Refer to the payload diagram for the nominal distance.

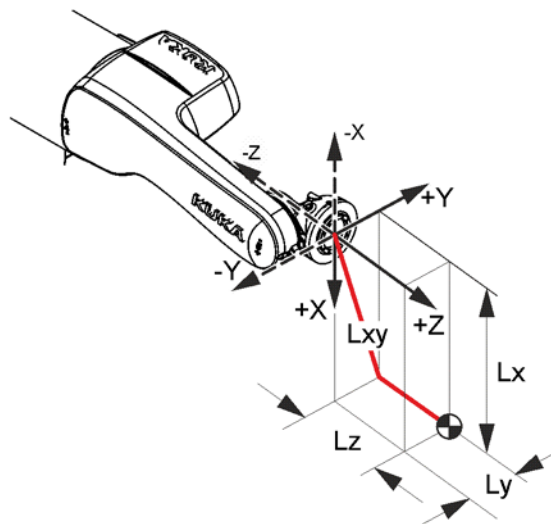


Fig. 4-16: Load center of gravity

**Payload diagram**

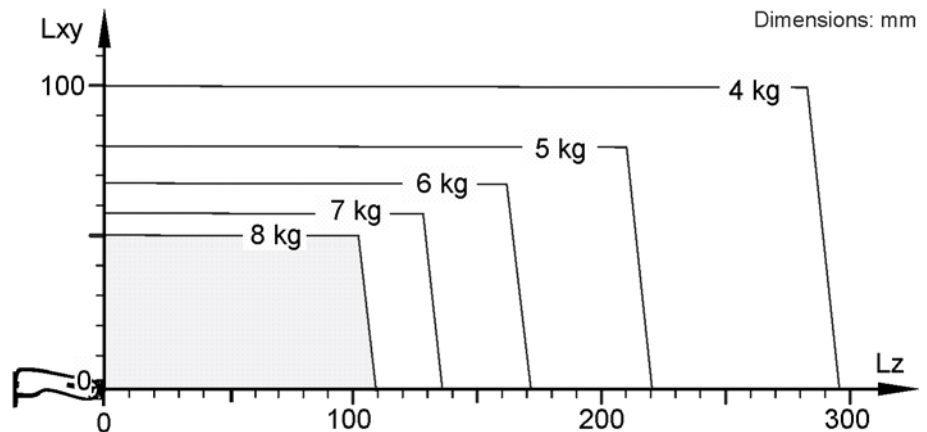


Fig. 4-17: Payload diagram, KR 8 R1620 arc HW

**NOTICE**

This loading curve corresponds to the maximum load capacity. Both values (payload and mass moment of inertia) must be checked in all cases. Exceeding this capacity will reduce the service life of the robot and overload the motors and the gears; in any such case KUKA Roboter GmbH must be consulted beforehand.

The values determined here are necessary for planning the robot application. For commissioning the robot, additional input data are required in accordance with the operating and programming instructions of the KUKA System Software.

The mass inertia must be verified using KUKA.Load. It is imperative for the load data to be entered in the robot controller!

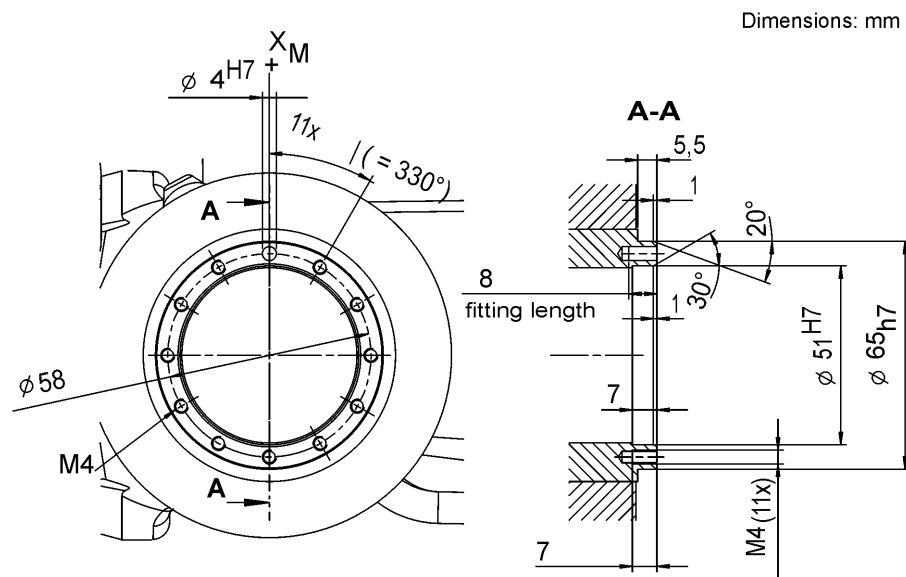
**Hollow-shaft wrist**

In-line wrist type	ZH 8 HW
Mounting flange	see drawing

**HW mounting flange**

Mounting flange (hole circle)	58 mm
Screw grade	10.9
Screw size	M4
Number of fastening threads	11
Clamping length	1.5 x nominal diameter
Depth of engagement	min. 4 mm, max. 7 mm
Locating element	4 <sup>H7</sup>
Hollow shaft, diameter	50 mm

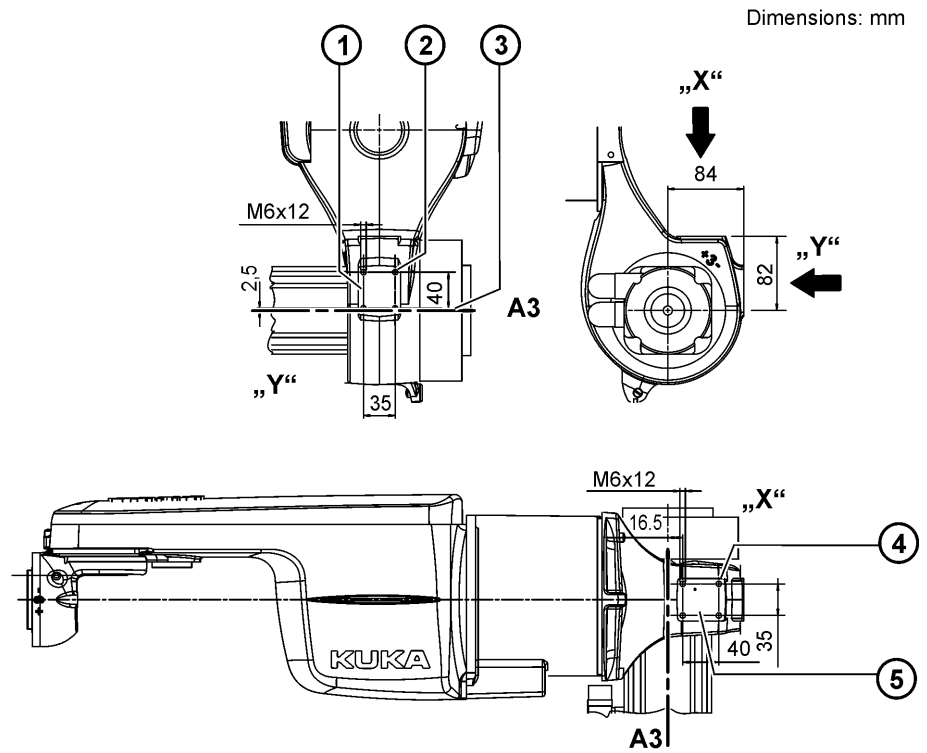
The mounting flange is depicted (>>> Fig. 4-18 ) with axes 4 and 6 in the zero position. The symbol  $X_m$  indicates the position of the locating element (bushing) in the zero position.



**Fig. 4-18: Mounting flange**

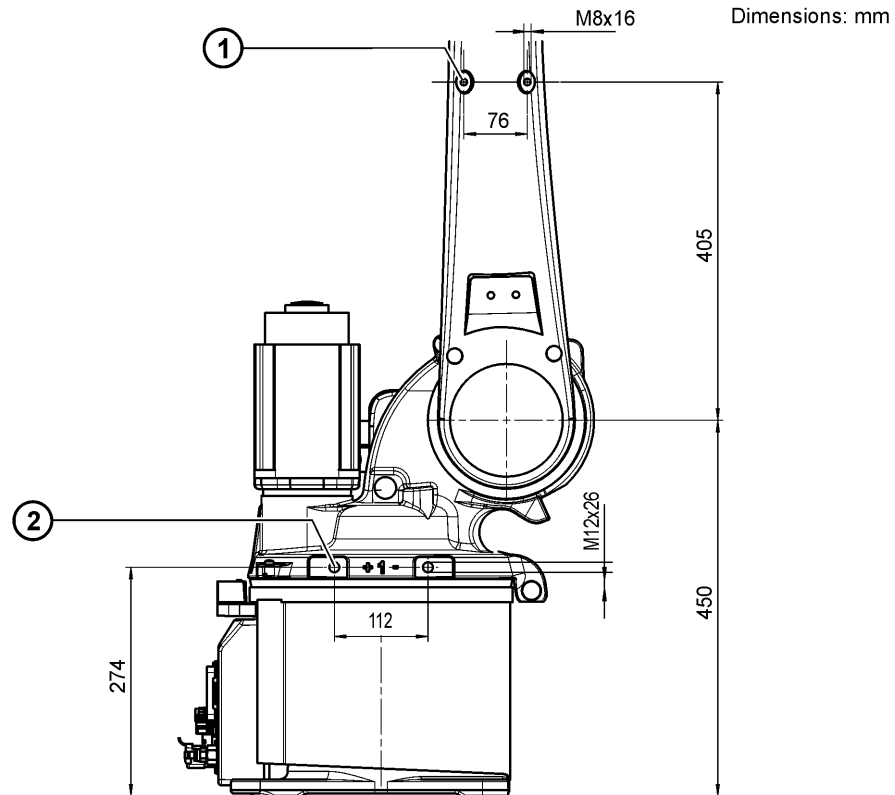
**Supplementary load**

The robot can carry supplementary loads on the arm, link arm and rotating column. When mounting the supplementary loads, be careful to observe the maximum permissible load on the individual axes. The load must be entered in KUKA Load. The dimensions and positions of the installation options can be seen in the following diagram.



**Fig. 4-19: Fastening the supplementary load, arm**

- 1 Mounting surface on arm, top
- 2 Plane of rotation, axis 4
- 3 Plane of rotation, axis 3
- 4 Mounting surface on arm, rear



**Fig. 4-20: Fastening the supplementary load on the link arm/rotating column**

- 1 Mounting surface on link arm
- 2 Mounting surface on rotating column, both sides

#### 4.2.4 Loads acting on the foundation, KR 8 R1620 arc HW

**Foundation loads** The specified forces and moments already include the payload and the inertia force (weight) of the robot.

Foundation loads for floor mounting position	
F(v normal)	2469 N
F(v max)	2599 N
F(h normal)	1114 N
F(h max)	1376 N
M(k normal)	1523 Nm
M(k max)	2040 Nm
M(r normal)	1029 Nm
M(r max)	1149 Nm
Foundation loads for ceiling mounting position	
F(v normal)	2712 N
F(v max)	2794 N
F(h normal)	1282 N
F(h max)	1624 N
M(k normal)	1832 Nm
M(k max)	2329 Nm
M(r normal)	1029 Nm
M(r max)	1149 Nm

Foundation loads for wall mounting position	
F(v normal)	800 N
F(v max)	1000 N
F(h normal)	2748 N
F(h max)	2987 N
M(k normal)	2562 Nm
M(k max)	2701 Nm
M(r normal)	947 Nm
M(r max)	1126 Nm

Vertical force  $F(v)$ , horizontal force  $F(h)$ , tilting torque  $M(k)$ , torque about axis 1  $M(r)$

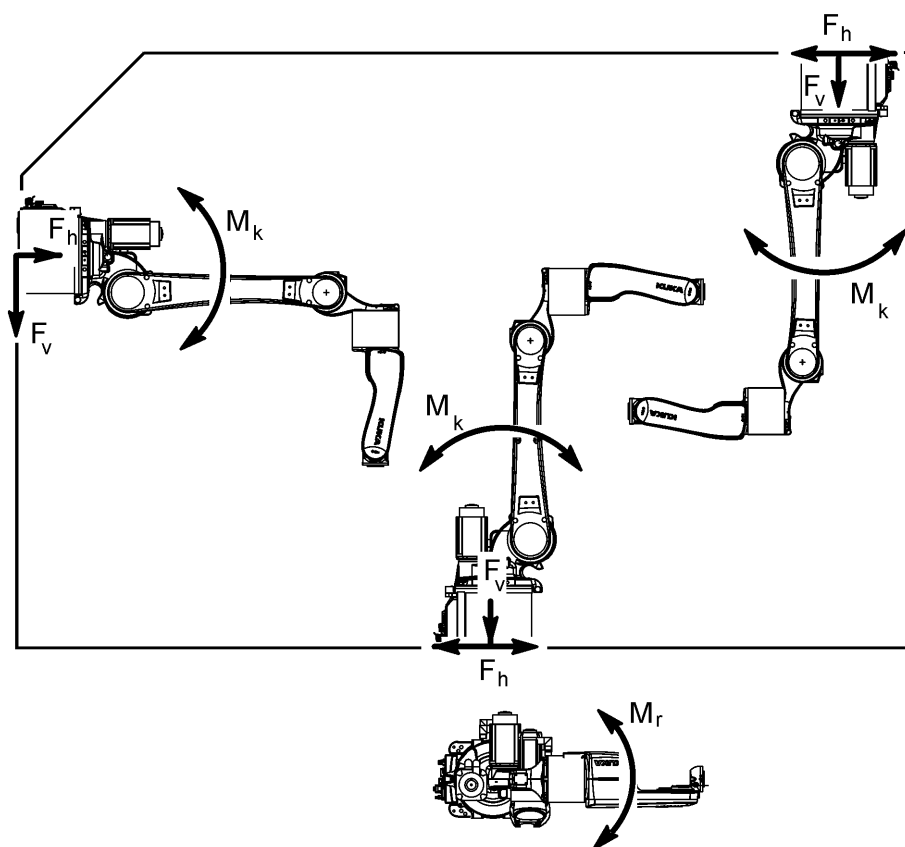


Fig. 4-21: Foundation loads

**⚠ WARNING**

Normal loads and maximum loads for the foundations are specified in the table.

The maximum loads must be referred to when dimensioning the foundations and must be adhered to for safety reasons. Failure to observe this can result in personal injury and damage to property.

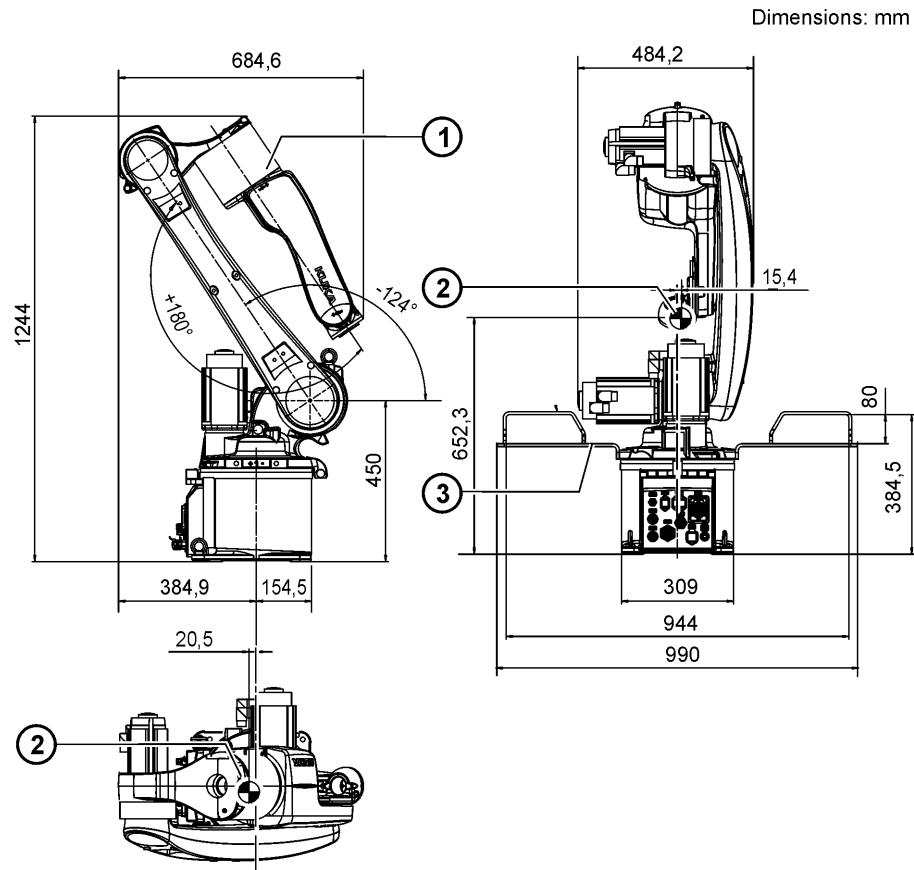
The normal loads are average expected foundation loads. The actual loads are dependent on the program and on the robot loads and may therefore be greater or less than the normal loads.

The supplementary loads (A1 and A2) are not taken into consideration in the calculation of the mounting base load. These supplementary loads must be taken into consideration for  $F_v$ .



### 4.2.5 Transport dimensions, KR 8 R1620 arc HW

The transport dimensions for the robots can be noted from the following diagrams (>>> Fig. 4-11 ). The position of the center of gravity and the weight vary according to the specific configuration. The specified dimensions refer to the robot without equipment. The following diagram shows the dimensions of the robot when it stands on the floor without wooden transport blocks.



**Fig. 4-22: Transport dimensions**

- |                     |              |
|---------------------|--------------|
| 1 Robot             | 3 Fork slots |
| 2 Center of gravity |              |

## 4.3 Technical data, KR 6 R1820 arc HW

### 4.3.1 Basic data, KR 6 R1820 arc HW


#### Basic data

	KR 6 R1820 arc HW
Number of axes	6
Number of controlled axes	6
Volume of working envelope	23.19 m <sup>3</sup>
Pose repeatability (ISO 9283)	± 0.04 mm
Weight	approx. 188 kg
Rated payload	6 kg
Maximum reach	1823.5 mm
Protection rating	IP54
Protection rating, in-line wrist	IP54

	<b>KR 6 R1820 arc HW</b>
Sound level	< 75 dB (A)
Mounting position	Floor; Ceiling; Wall
Footprint	333.5 mm x 307 mm
Permissible angle of inclination	-
Default color	Base frame: black (RAL 9005); Moving parts: KUKA orange 2567
Controller	KR C4 smallsize-2; KR C4 compact
Transformation name	KR C4: KR6R1820 arc HW C4

**Ambient conditions**

Humidity class (EN 60204)	-
Classification of environmental conditions (EN 60721-3-3)	3K3
<b>Ambient temperature</b>	
During operation	5 °C to 45 °C (278 K to 318 K)
During storage/transportation	-20 °C to 60 °C (253 K to 333 K)

 For operation at low temperatures, it may be necessary to warm up the robot.

**Connecting cables**

Cable designation	Connector designation robot controller - robot	Interface with robot
Motor cable	X20 - X30	HAN Yellock 30
Data cable	X21 - X31	HAN Q12
Ground conductor / equipotential bonding 4 mm <sup>2</sup> (can be ordered as an option)		M4 ring cable lug at both ends

<b>Cable lengths</b>	
Standard	1 m, 4 m, 7 m, 15 m, 25 m

Minimum bending radius	5x D
------------------------	------

For detailed specifications of the connecting cables, see “Description of the connecting cables”.

**4.3.2 Axis data, KR 6 R1820 arc HW**

**Axis data**

<b>Motion range</b>	
A1	±170 °
A2	-185 ° / 65 °
A3	-120 ° / 180 °
A4	±165 °
A5	-115 ° / 140 °
A6	±350 °

Speed with rated payload	
A1	220 °/s
A2	178 °/s
A3	270 °/s
A4	430 °/s
A5	430 °/s
A6	630 °/s

The direction of motion and the arrangement of the individual axes may be noted from the following diagram.

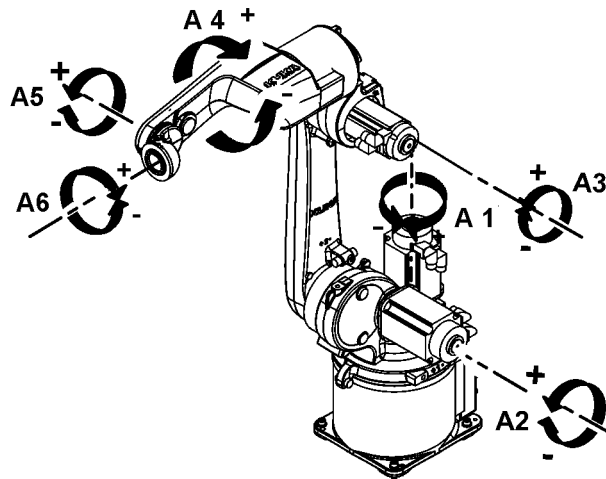


Fig. 4-23: Direction of rotation of robot axes

#### Mastering positions

Mastering position	
A1	38 °
A2	-110 °
A3	110 °
A4	0 °
A5	0 °
A6	0 °

#### Working envelope

The following diagrams show the shape and size of the working envelope for these variants of this product family.

The reference point for the working envelope is the intersection of axes 4 and 5.

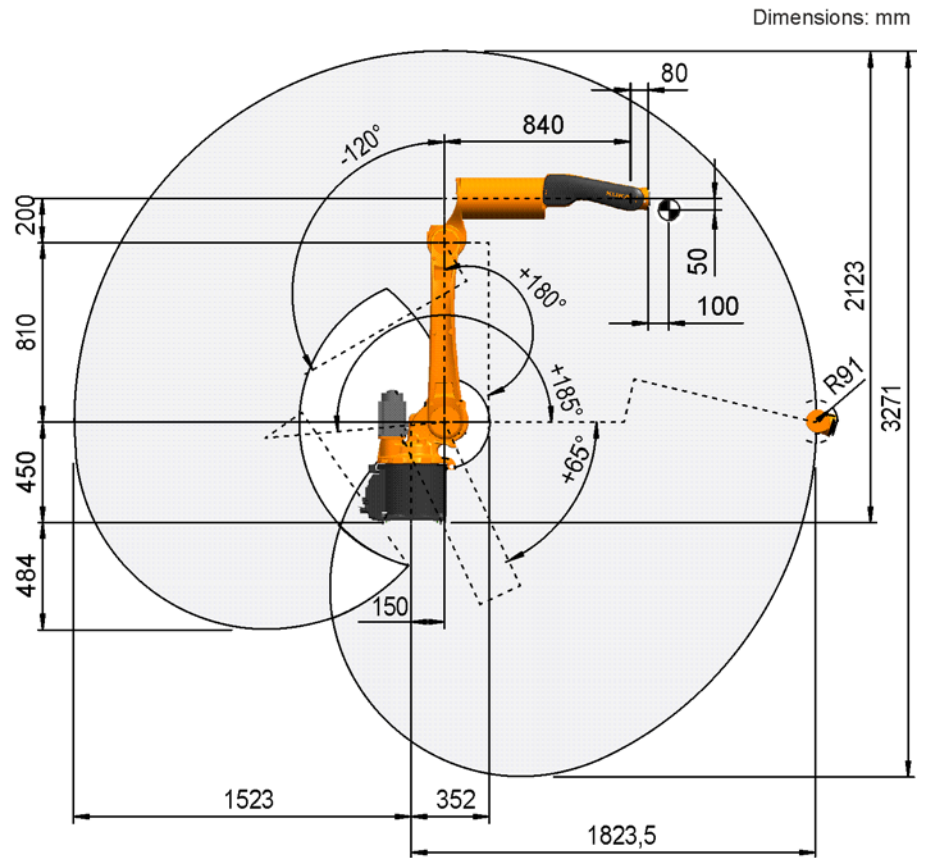


Fig. 4-24: Working envelope, side view, KR 6 R1820 arc HW

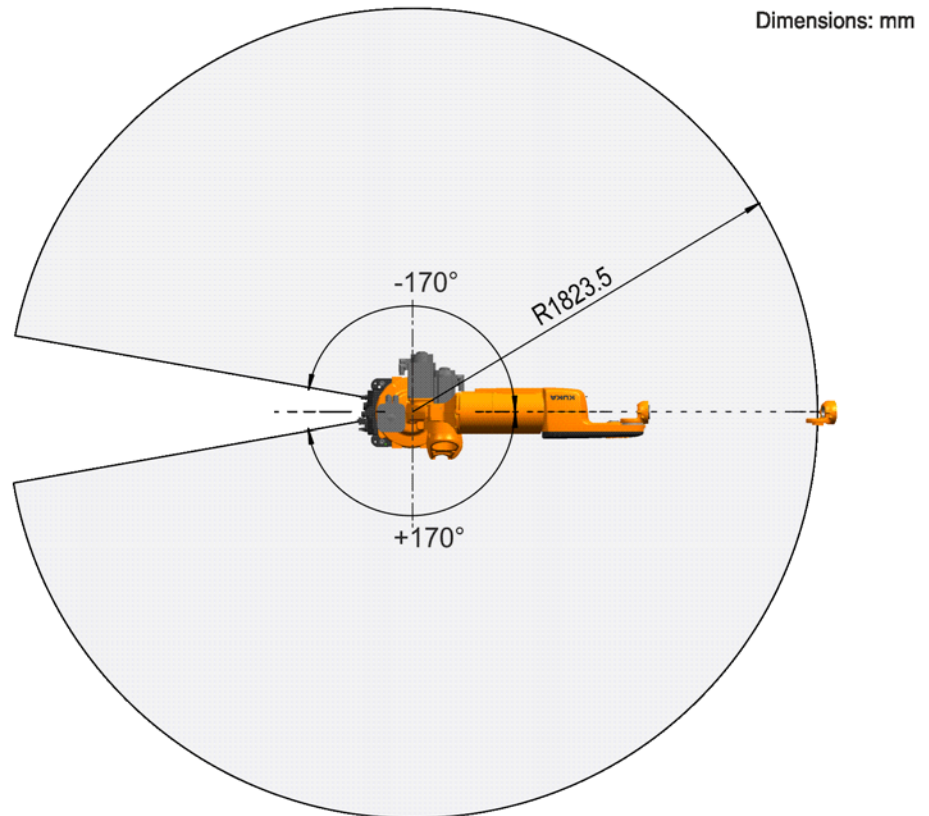


Fig. 4-25: Working envelope, top view, KR 6 R1820 arc HW

## Inclined installation

The robot can be installed anywhere from a 0° position (floor) to a 180° position (ceiling). This type of installation results in limitations to the range of motion in the plus and minus directions about axis 1. The following figure shows the possible limitation of the motion range of axis 1, as a function of the angle of inclination of the robot.

The inclination angles for the robot must be entered correctly into the controller if the robot is not operated in the floor-mounted position. A configuration of the angles is possible via WorkVisual.

The inclination angles for an unchanged main working direction of the robot:

Floor: A:0°, B:0°, C:0°

Wall: A:0°, B:90°, C:0°

Ceiling: A:0°, B:0°, C:180°

**CAUTION** The inclined installation angles must be individually checked and entered. An incorrectly entered inclined installation angle can lead to unforeseen motion and/or to an overload and, potentially, damage to the robot.

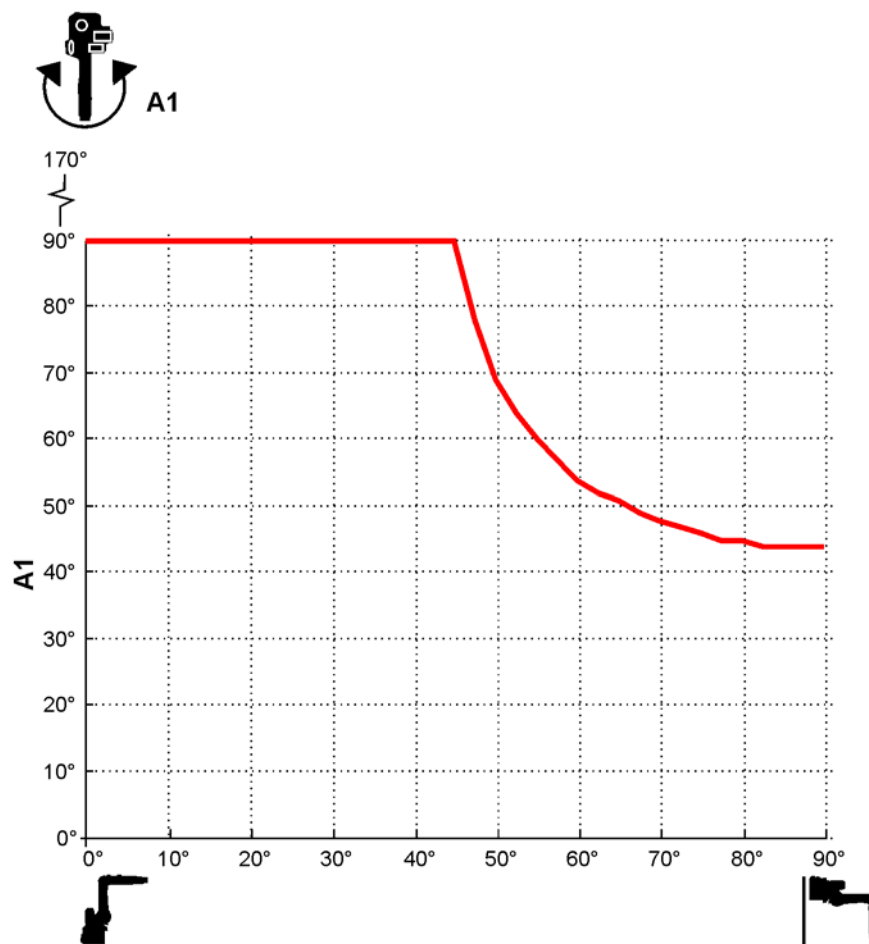


Fig. 4-26: Motion range, axis 1 inclined

### 4.3.3 Payloads, KR 6 R1820 arc HW

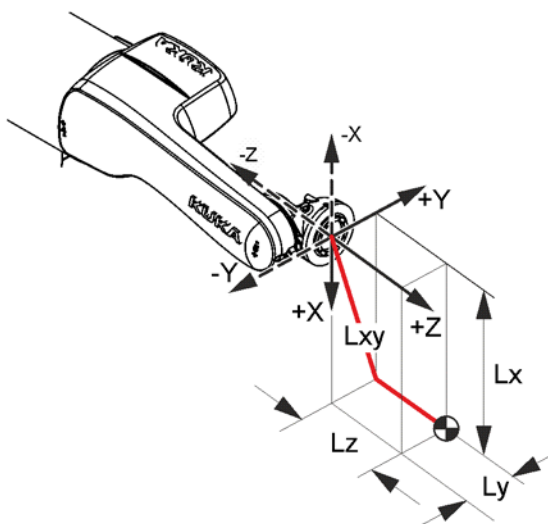
#### Payloads

Rated payload	6 kg
Rated mass moment of inertia	0.1 kgm <sup>2</sup>
Rated total load	16 kg

Rated supplementary load, base frame	0 kg
Maximum supplementary load, base frame	0 kg
Rated supplementary load, rotating column	0 kg
Maximum supplementary load, rotating column	20 kg
Rated supplementary load, link arm	0 kg
Maximum supplementary load, link arm	15 kg
Rated supplementary load, arm	10 kg
Maximum supplementary load, arm	15 kg
Nominal distance to load center of gravity	
Lxy	50 mm
Lz	100 mm

**Load center of gravity**

For all payloads, the load center of gravity refers to the distance from the face of the mounting flange on axis 6. Refer to the payload diagram for the nominal distance.



**Fig. 4-27: Load center of gravity**

## Payload diagram

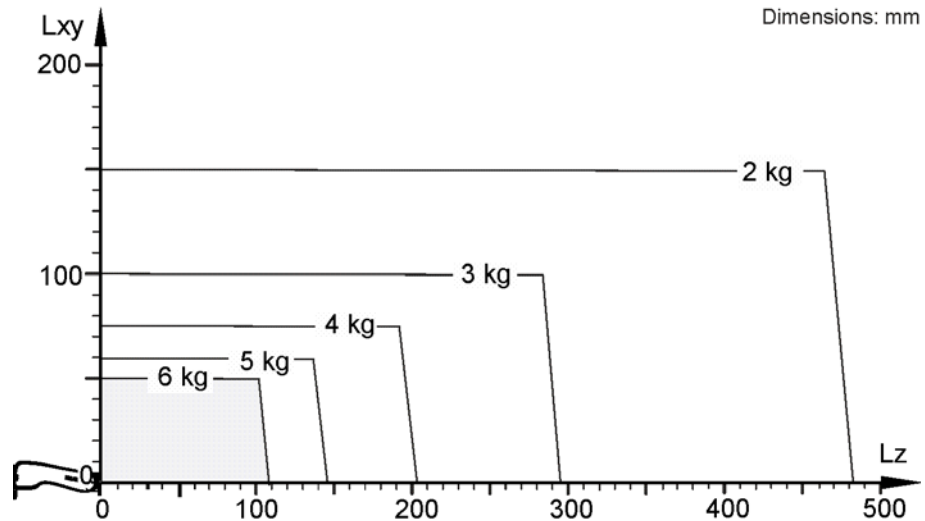


Fig. 4-28: Payload diagram, KR 6 R1820 arc HW

**NOTICE**

This loading curve corresponds to the maximum load capacity. Both values (payload and mass moment of inertia) must be checked in all cases. Exceeding this capacity will reduce the service life of the robot and overload the motors and the gears; in any such case KUKA Roboter GmbH must be consulted beforehand.

The values determined here are necessary for planning the robot application. For commissioning the robot, additional input data are required in accordance with the operating and programming instructions of the KUKA System Software.

The mass inertia must be verified using KUKA.Load. It is imperative for the load data to be entered in the robot controller!

**Hollow-shaft wrist**

In-line wrist type	ZH 6 HW
Mounting flange	see drawing

**HW mounting flange**

Mounting flange (hole circle)	58 mm
Screw grade	10.9
Screw size	M4
Number of fastening threads	11
Clamping length	1.5 x nominal diameter
Depth of engagement	min. 4 mm, max. 7 mm
Locating element	4 H7
Hollow shaft, diameter	50 mm

The mounting flange is depicted (>>> Fig. 4-29) with axes 4 and 6 in the zero position. The symbol  $X_m$  indicates the position of the locating element (bushing) in the zero position.

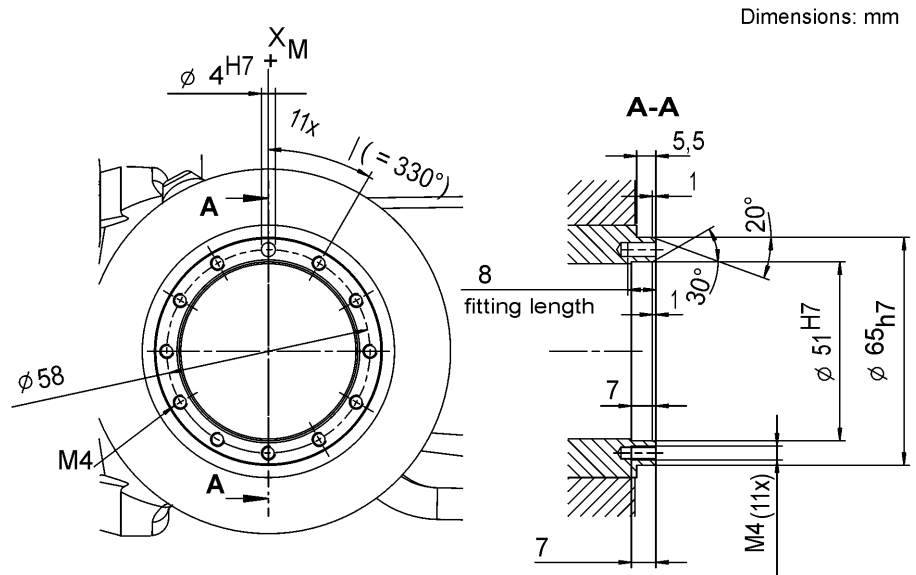


Fig. 4-29: Mounting flange

**Supplementary load**

The robot can carry supplementary loads on the arm, link arm and rotating column. When mounting the supplementary loads, be careful to observe the maximum permissible load on the individual axes. The load must be entered in KUKA Load. The dimensions and positions of the installation options can be seen in the following diagram.

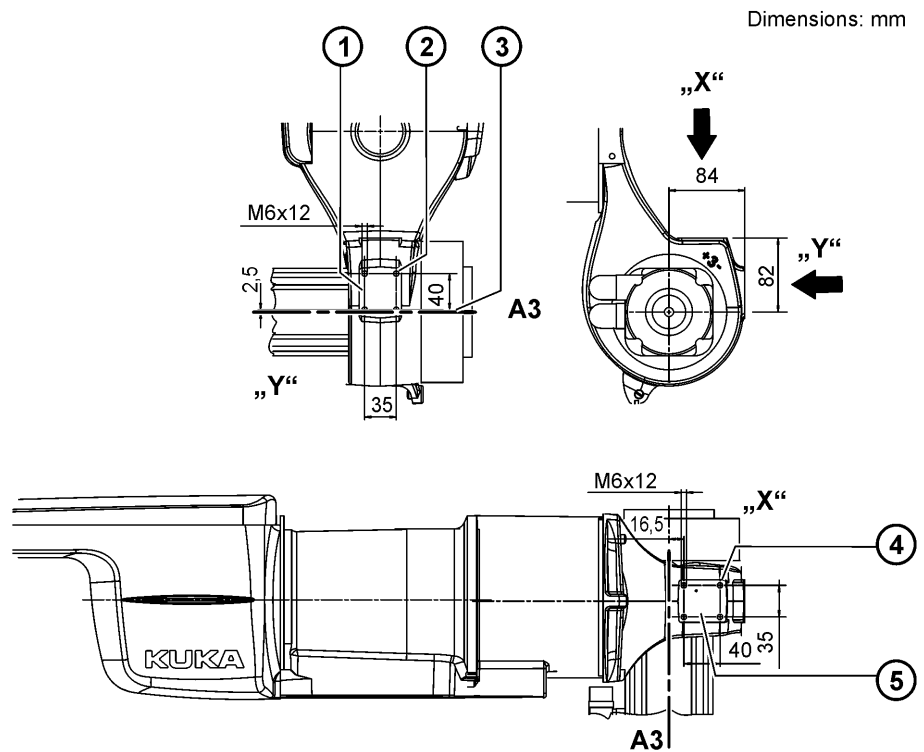
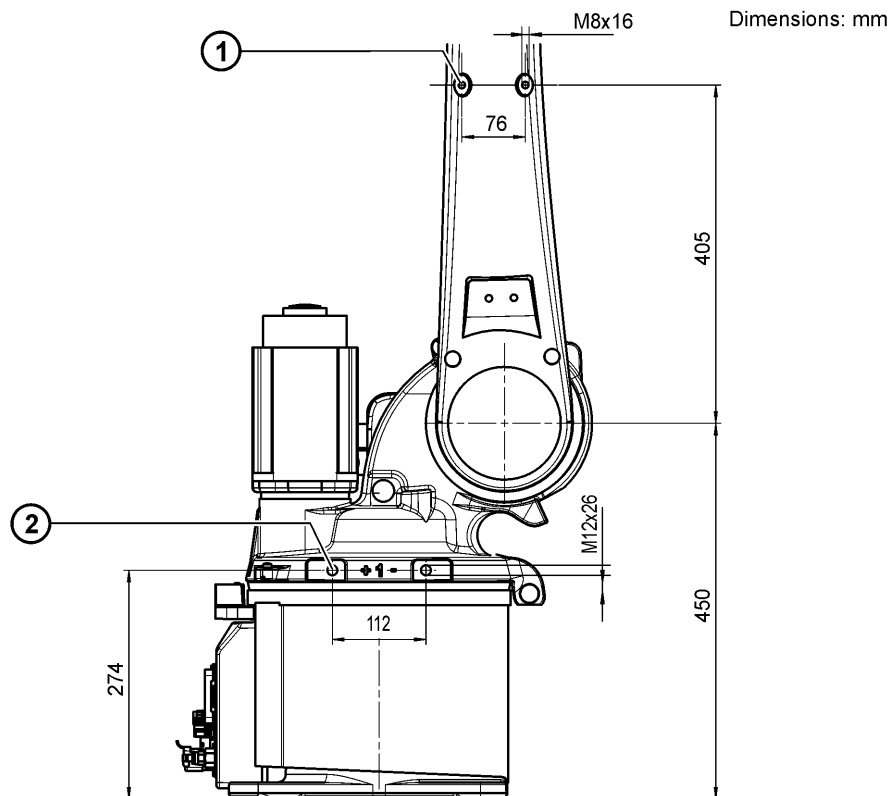


Fig. 4-30: Fastening the supplementary load, arm

- 1 Mounting surface on arm, top
- 2 Plane of rotation, axis 4
- 3 Plane of rotation, axis 3
- 4 Mounting surface on arm, rear





**Fig. 4-31: Fastening the supplementary load on the link arm/rotating column**

- 1 Mounting surface on link arm
- 2 Mounting surface on rotating column, both sides

#### 4.3.4 Loads acting on the foundation, KR 6 R1820 arc HW

**Foundation loads** The specified forces and moments already include the payload and the inertia force (weight) of the robot.

Foundation loads for floor mounting position	
F(v normal)	2469 N
F(v max)	2599 N
F(h normal)	1114 N
F(h max)	1376 N
M(k normal)	1523 Nm
M(k max)	2040 Nm
M(r normal)	1029 Nm
M(r max)	1149 Nm
Foundation loads for ceiling mounting position	
F(v normal)	2712 N
F(v max)	2794 N
F(h normal)	1282 N
F(h max)	1624 N
M(k normal)	1832 Nm
M(k max)	2329 Nm
M(r normal)	1029 Nm
M(r max)	1149 Nm

Foundation loads for wall mounting position	
F(v normal)	800 N
F(v max)	1000 N
F(h normal)	2748 N
F(h max)	2987 N
M(k normal)	2562 Nm
M(k max)	2701 Nm
M(r normal)	947 Nm
M(r max)	1126 Nm

Vertical force  $F(v)$ , horizontal force  $F(h)$ , tilting torque  $M(k)$ , torque about axis 1  $M(r)$

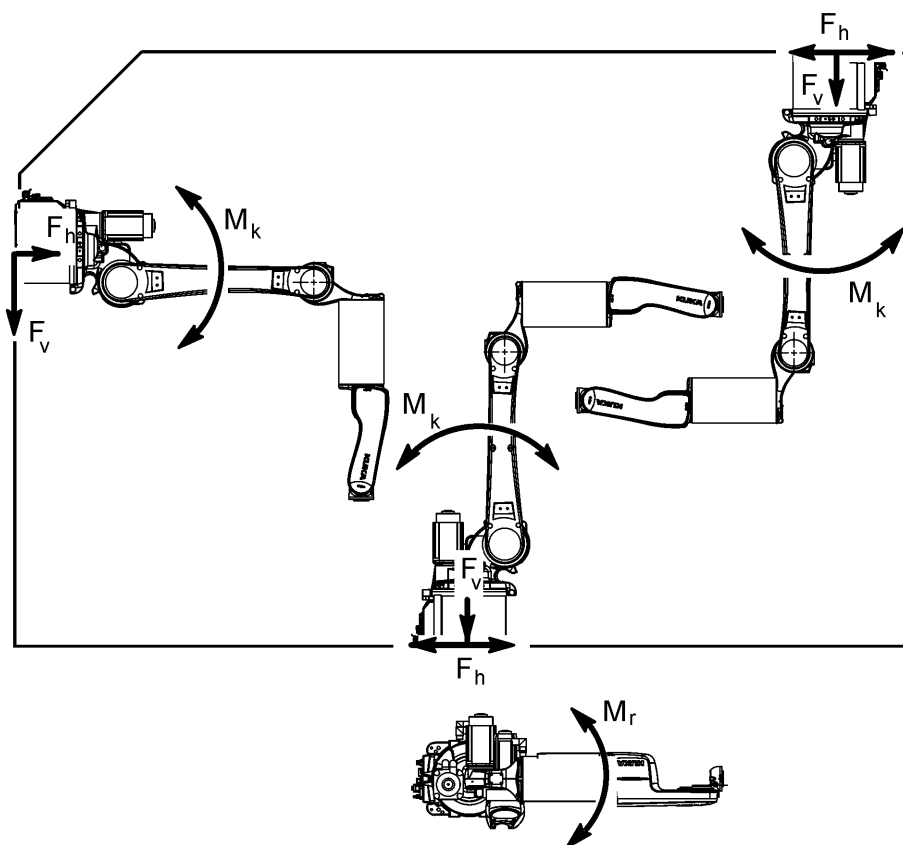


Fig. 4-32: Foundation loads



**WARNING** Normal loads and maximum loads for the foundations are specified in the table.

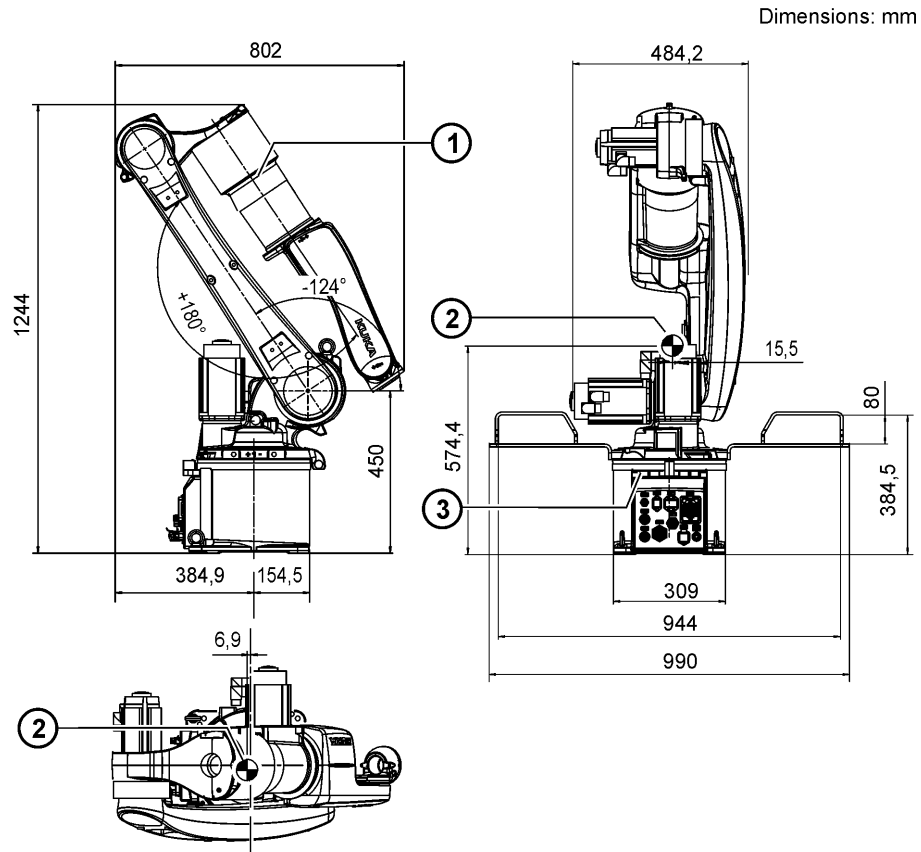
The maximum loads must be referred to when dimensioning the foundations and must be adhered to for safety reasons. Failure to observe this can result in personal injury and damage to property.

The normal loads are average expected foundation loads. The actual loads are dependent on the program and on the robot loads and may therefore be greater or less than the normal loads.

The supplementary loads (A1 and A2) are not taken into consideration in the calculation of the mounting base load. These supplementary loads must be taken into consideration for  $F_v$ .

### 4.3.5 Transport dimensions, KR 6 R1820 arc HW

The transport dimensions for the robots can be noted from the following diagrams (>>> Fig. 4-33 ). The position of the center of gravity and the weight vary according to the specific configuration. The specified dimensions refer to the robot without equipment. The following diagram shows the dimensions of the robot when it stands on the floor without wooden transport blocks.



**Fig. 4-33: Transport dimensions**

- |   |                   |   |            |
|---|-------------------|---|------------|
| 1 | Robot             | 3 | Fork slots |
| 2 | Center of gravity |   |            |

### 4.4 Plates and labels

**Plates and labels** The following plates and labels (>>> Fig. 4-34 ) are attached to the robot. They must not be removed or rendered illegible. Illegible plates and labels must be replaced. The plates and labels depicted here are valid for all robots of this robot model.

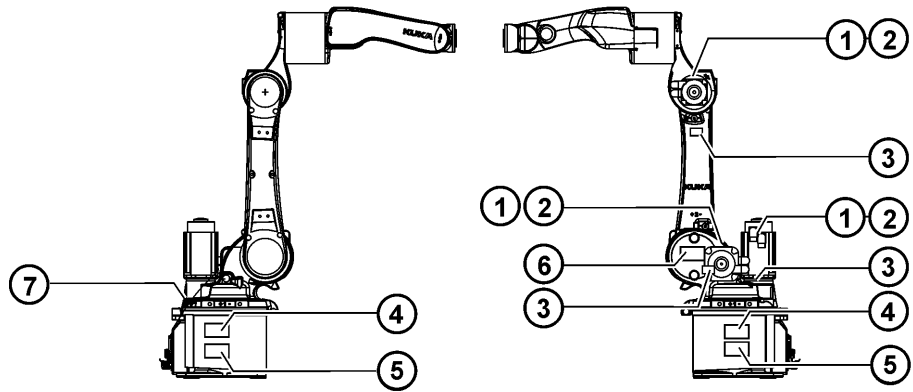



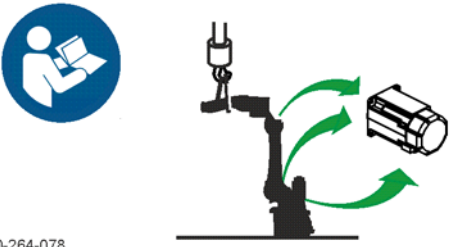

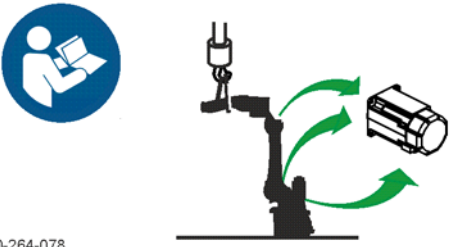

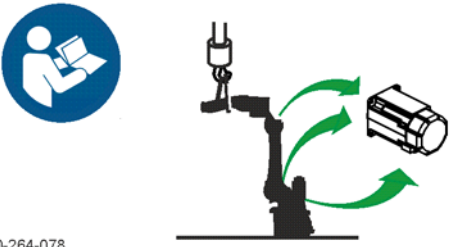

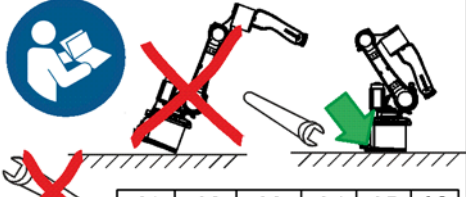
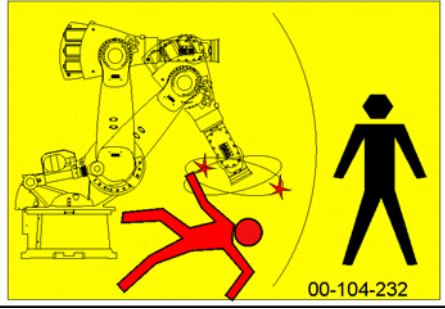
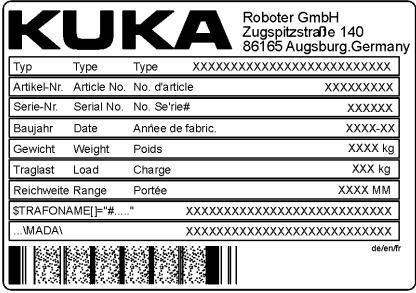

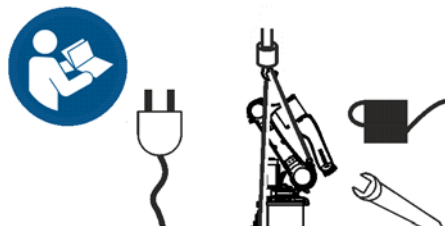


Fig. 4-34: Location of plates and labels

Item	Description								
1	 <p><b>High voltage</b> Any improper handling can lead to contact with current-carrying components. Electric shock hazard!</p>								
2	 <p><b>Hot surface</b> During operation of the robot, surface temperatures may be reached that could result in burn injuries. Protective gloves must be worn!</p>								
3	<table border="1" style="width: 100%; border-collapse: collapse;"> <tr> <td style="text-align: center; vertical-align: middle;">  </td> <td style="text-align: center; vertical-align: middle;">  <p style="font-size: small;">00-264-078</p> </td> </tr> <tr> <td style="text-align: center; background-color: yellow;"><b>⚠ CAUTION</b></td> <td><b>Before removing the motor, secure robot axis to prevent it from turning!</b></td> </tr> <tr> <td style="text-align: center; background-color: yellow;"><b>⚠ ATTENTION</b></td> <td><b>Avant de retirer le moteur, protéger l'axe du robot contre le basculement!</b></td> </tr> <tr> <td style="text-align: center; background-color: yellow;"><b>⚠ VORSICHT</b></td> <td><b>Vor Entfernen des Motors, Roboterachse gegen Bewegungen sichern!</b></td> </tr> </table> <p><b>Secure the axes</b> Before exchanging any motor, secure the corresponding axis through safeguarding by suitable means/devices to protect against possible movement. The axis can move. Risk of crushing!</p>		 <p style="font-size: small;">00-264-078</p>	<b>⚠ CAUTION</b>	<b>Before removing the motor, secure robot axis to prevent it from turning!</b>	<b>⚠ ATTENTION</b>	<b>Avant de retirer le moteur, protéger l'axe du robot contre le basculement!</b>	<b>⚠ VORSICHT</b>	<b>Vor Entfernen des Motors, Roboterachse gegen Bewegungen sichern!</b>
	 <p style="font-size: small;">00-264-078</p>								
<b>⚠ CAUTION</b>	<b>Before removing the motor, secure robot axis to prevent it from turning!</b>								
<b>⚠ ATTENTION</b>	<b>Avant de retirer le moteur, protéger l'axe du robot contre le basculement!</b>								
<b>⚠ VORSICHT</b>	<b>Vor Entfernen des Motors, Roboterachse gegen Bewegungen sichern!</b>								

Item	Description												
4	<div style="display: flex; justify-content: space-between;"> <div style="width: 30%; text-align: center;">  </div> <div style="width: 65%;">  <table border="1" style="margin-left: auto; margin-right: auto;"> <tr> <td>A1</td> <td>A2</td> <td>A3</td> <td>A4</td> <td>A5</td> <td>A6</td> </tr> <tr> <td>0°</td> <td>-124°</td> <td>+180°</td> <td>0°</td> <td>0°</td> <td>0°</td> </tr> </table> <p style="font-size: small; margin-left: 20px;">00-264-078</p> </div> </div> <div style="display: flex; margin-top: 5px;"> <div style="width: 30%; background-color: yellow; text-align: center; padding: 2px;"> <b>⚠ CAUTION</b> </div> <div style="width: 70%; padding: 2px;">       Move the robot into its transport position before removing the mounting base!     </div> </div> <div style="display: flex; margin-top: 5px;"> <div style="width: 30%; background-color: yellow; text-align: center; padding: 2px;"> <b>⚠ ATTENTION</b> </div> <div style="width: 70%; padding: 2px;">       Amener le robot en position de transport avant de défaire la fixation aux fondations!     </div> </div> <div style="display: flex; margin-top: 5px;"> <div style="width: 30%; background-color: yellow; text-align: center; padding: 2px;"> <b>⚠ VORSICHT</b> </div> <div style="width: 70%; padding: 2px;">       Roboter vor Lösen der Fundamentbefestigung in Transportstellung bringen!     </div> </div> <p style="margin-top: 10px;"><b>Transport position</b>        Before loosening the bolts of the mounting base, the robot must be in the transport position as indicated in the table. Risk of toppling!</p>	A1	A2	A3	A4	A5	A6	0°	-124°	+180°	0°	0°	0°
A1	A2	A3	A4	A5	A6								
0°	-124°	+180°	0°	0°	0°								
5	<div style="text-align: center;">  <p style="font-size: small; margin-left: 20px;">00-104-232</p> </div> <p style="margin-top: 10px;"><b>Danger zone</b>        Entering the danger zone of the robot is prohibited if the robot is in operation or ready for operation. Risk of injury!</p>												

Item	Description																																				
6	<div style="border: 1px solid black; padding: 5px;">  <p><b>KUKA</b> Roboter GmbH Zugspitzstraße 140 86165 Augsburg, Germany</p> <table border="1"> <tr> <td>Typ</td> <td>Type</td> <td>Type</td> <td>XXXXXXXXXXXXXXXXXXXXXXXX</td> </tr> <tr> <td>Artikel-Nr.</td> <td>Article No.</td> <td>No. d'article</td> <td>XXXXXXXXXX</td> </tr> <tr> <td>Serie-Nr.</td> <td>Serial No.</td> <td>No. Série#</td> <td>XXXXXX</td> </tr> <tr> <td>Baujahr</td> <td>Date</td> <td>Année de fabric.</td> <td>XXXX-XX</td> </tr> <tr> <td>Gewicht</td> <td>Weight</td> <td>Poids</td> <td>XXXX kg</td> </tr> <tr> <td>Traglast</td> <td>Load</td> <td>Charge</td> <td>XXX kg</td> </tr> <tr> <td>Reichweite</td> <td>Range</td> <td>Portée</td> <td>XXXX MM</td> </tr> <tr> <td colspan="3">STRAFONAME]="#....."</td> <td>XXXXXXXXXXXXXXXXXXXXXXXXXXXX</td> </tr> <tr> <td colspan="3">...MADA]</td> <td>XXXXXXXXXXXXXXXXXXXXXXXXXXXX</td> </tr> </table> <p style="text-align: right; font-size: small;">de/en/pt</p> </div> <p><b>Identification plate</b> Content according to Machinery Directive.</p>	Typ	Type	Type	XXXXXXXXXXXXXXXXXXXXXXXX	Artikel-Nr.	Article No.	No. d'article	XXXXXXXXXX	Serie-Nr.	Serial No.	No. Série#	XXXXXX	Baujahr	Date	Année de fabric.	XXXX-XX	Gewicht	Weight	Poids	XXXX kg	Traglast	Load	Charge	XXX kg	Reichweite	Range	Portée	XXXX MM	STRAFONAME]="#....."			XXXXXXXXXXXXXXXXXXXXXXXXXXXX	...MADA]			XXXXXXXXXXXXXXXXXXXXXXXXXXXX
Typ	Type	Type	XXXXXXXXXXXXXXXXXXXXXXXX																																		
Artikel-Nr.	Article No.	No. d'article	XXXXXXXXXX																																		
Serie-Nr.	Serial No.	No. Série#	XXXXXX																																		
Baujahr	Date	Année de fabric.	XXXX-XX																																		
Gewicht	Weight	Poids	XXXX kg																																		
Traglast	Load	Charge	XXX kg																																		
Reichweite	Range	Portée	XXXX MM																																		
STRAFONAME]="#....."			XXXXXXXXXXXXXXXXXXXXXXXXXXXX																																		
...MADA]			XXXXXXXXXXXXXXXXXXXXXXXXXXXX																																		
7	<div style="border: 1px solid black; padding: 5px;"> <div style="display: flex; justify-content: space-between;"> <div style="text-align: center;">  </div> <div style="text-align: center;">  <p style="font-size: x-small;">00-264-078</p> </div> </div> <table border="1" style="width: 100%; text-align: center;"> <tr> <td style="background-color: yellow;"><b>⚠ CAUTION</b></td> <td><b>Secure the system before beginning work on the robot. Read and observe the safety instructions!</b></td> </tr> <tr> <td style="background-color: yellow;"><b>⚠ ATTENTION</b></td> <td><b>Bloquer le système avant d'effectuer des travaux sur le robot. Lire et respecter les remarques relatives à la sécurité!</b></td> </tr> <tr> <td style="background-color: yellow;"><b>⚠ VORSICHT</b></td> <td><b>Vor Arbeiten am Roboter, System sichern. Sicherheitshinweise lesen und beachten!</b></td> </tr> </table> <p><b>Work on the robot</b> Before start-up, transportation or maintenance, read and follow the assembly and operating instructions.</p> </div>	<b>⚠ CAUTION</b>	<b>Secure the system before beginning work on the robot. Read and observe the safety instructions!</b>	<b>⚠ ATTENTION</b>	<b>Bloquer le système avant d'effectuer des travaux sur le robot. Lire et respecter les remarques relatives à la sécurité!</b>	<b>⚠ VORSICHT</b>	<b>Vor Arbeiten am Roboter, System sichern. Sicherheitshinweise lesen und beachten!</b>																														
<b>⚠ CAUTION</b>	<b>Secure the system before beginning work on the robot. Read and observe the safety instructions!</b>																																				
<b>⚠ ATTENTION</b>	<b>Bloquer le système avant d'effectuer des travaux sur le robot. Lire et respecter les remarques relatives à la sécurité!</b>																																				
<b>⚠ VORSICHT</b>	<b>Vor Arbeiten am Roboter, System sichern. Sicherheitshinweise lesen und beachten!</b>																																				

**4.5 REACH duty to communicate information acc. to Art. 33 of Regulation (EC) 1907/2006**

On the basis of the information provided by our suppliers, this product and its components contain no substances included on the "Candidate List" of Substances of Very High Concern (SVHCs) in a concentration exceeding 0.1 per cent by mass.

**4.6 Stopping distances and times**

**4.6.1 General information**

Information concerning the data:

- The stopping distance is the angle traveled by the robot from the moment the stop signal is triggered until the robot comes to a complete standstill.
- The stopping time is the time that elapses from the moment the stop signal is triggered until the robot comes to a complete standstill.
- The data are given for the main axes A1, A2 and A3. The main axes are the axes with the greatest deflection.
- Superposed axis motions can result in longer stopping distances.
- Stopping distances and stopping times in accordance with DIN EN ISO 10218-1, Annex B.

- Stop categories:
  - Stop category 0 » STOP 0
  - Stop category 1 » STOP 1  
according to IEC 60204-1
- The values specified for Stop 0 are guide values determined by means of tests and simulation. They are average values which conform to the requirements of DIN EN ISO 10218-1. The actual stopping distances and stopping times may differ due to internal and external influences on the braking torque. It is therefore advisable to determine the exact stopping distances and stopping times where necessary under the real conditions of the actual robot application.
- Measuring technique  
The stopping distances were measured using the robot-internal measuring technique.
- The wear on the brakes varies depending on the operating mode, robot application and the number of STOP 0 stops triggered. It is therefore advisable to check the stopping distance at least once a year.

#### 4.6.2 Terms used

Term	Description
m	Mass of the rated load and the supplementary load on the arm.
Phi	Angle of rotation (°) about the corresponding axis. This value can be entered in the controller via the KCP/smartPAD and can be displayed on the KCP/smartPAD.
POV	Program override (%) = velocity of the robot motion. This value can be entered in the controller via the KCP/smartPAD and can be displayed on the KCP/smartPAD.
Extension	Distance (l in %) (>>> Fig. 4-35 ) between axis 1 and the intersection of axes 4 and 5. With parallelogram robots, the distance between axis 1 and the intersection of axis 6 and the mounting flange.
KCP	KUKA Control Panel Teach pendant for the KR C2/KR C2 edition2005 The KCP has all the operator control and display functions required for operating and programming the industrial robot.
smartPAD	Teach pendant for the KR C4 The smartPAD has all the operator control and display functions required for operating and programming the industrial robot.

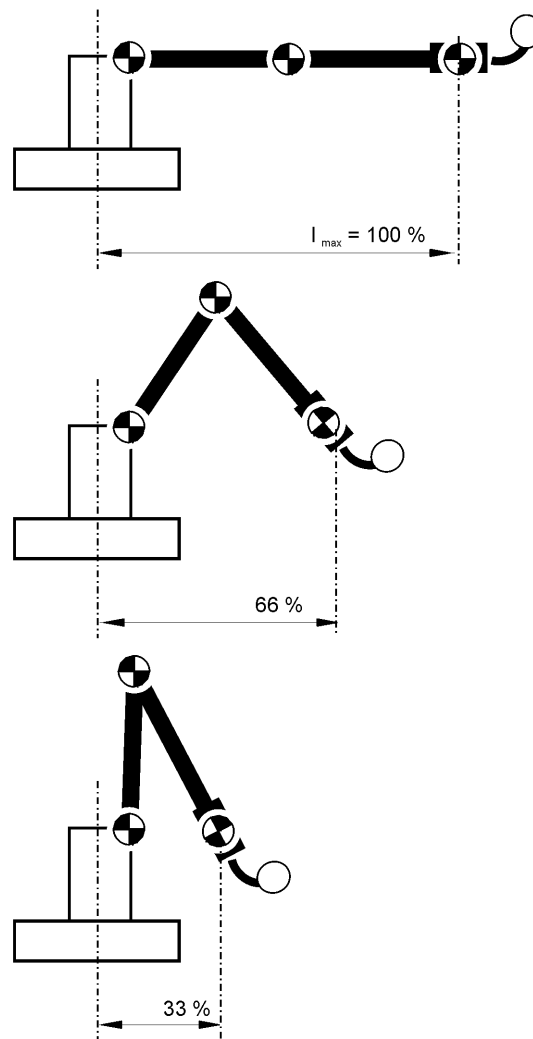


Fig. 4-35: Extension

4.6.3 Stopping distances and times, KR 8 R1420 arc HW

4.6.3.1 Stopping distances and stopping times for STOP 0, axis 1 to axis 3

The table shows the stopping distances and stopping times after a STOP 0 (category 0 stop) is triggered. The values refer to the following configuration:

- Extension  $l = 100\%$
- Program override POV = 100%
- Mass  $m =$  maximum load (rated load + supplementary load on arm)

	Stopping distance (°)	Stopping time (s)
Axis 1	26.77	0.25
Axis 2	41.73	0.34
Axis 3	18.91	0.13



## 4.6.3.2 Stopping distances and stopping times for STOP 1, axis 1

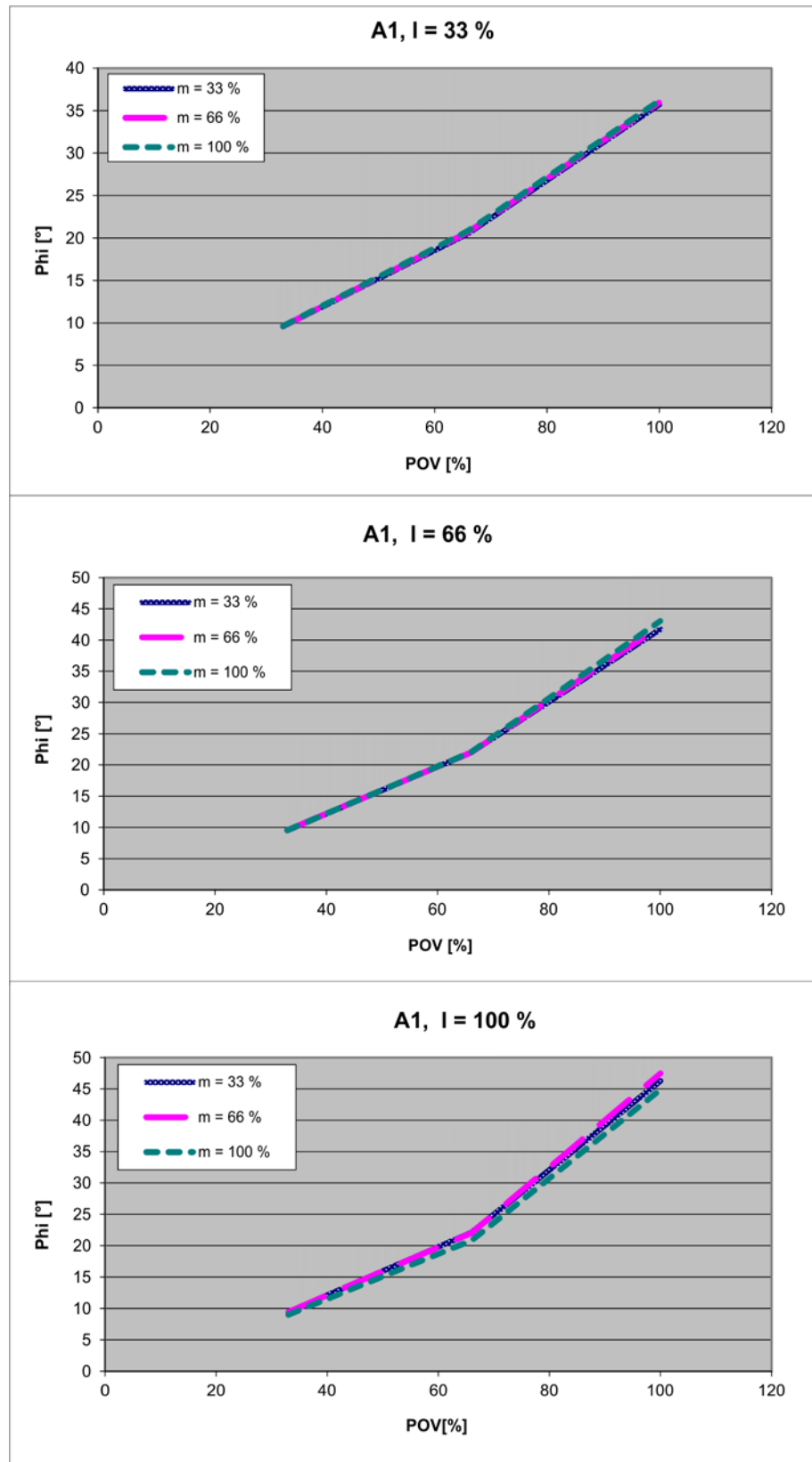


Fig. 4-36: Stopping distances for STOP 1, axis 1

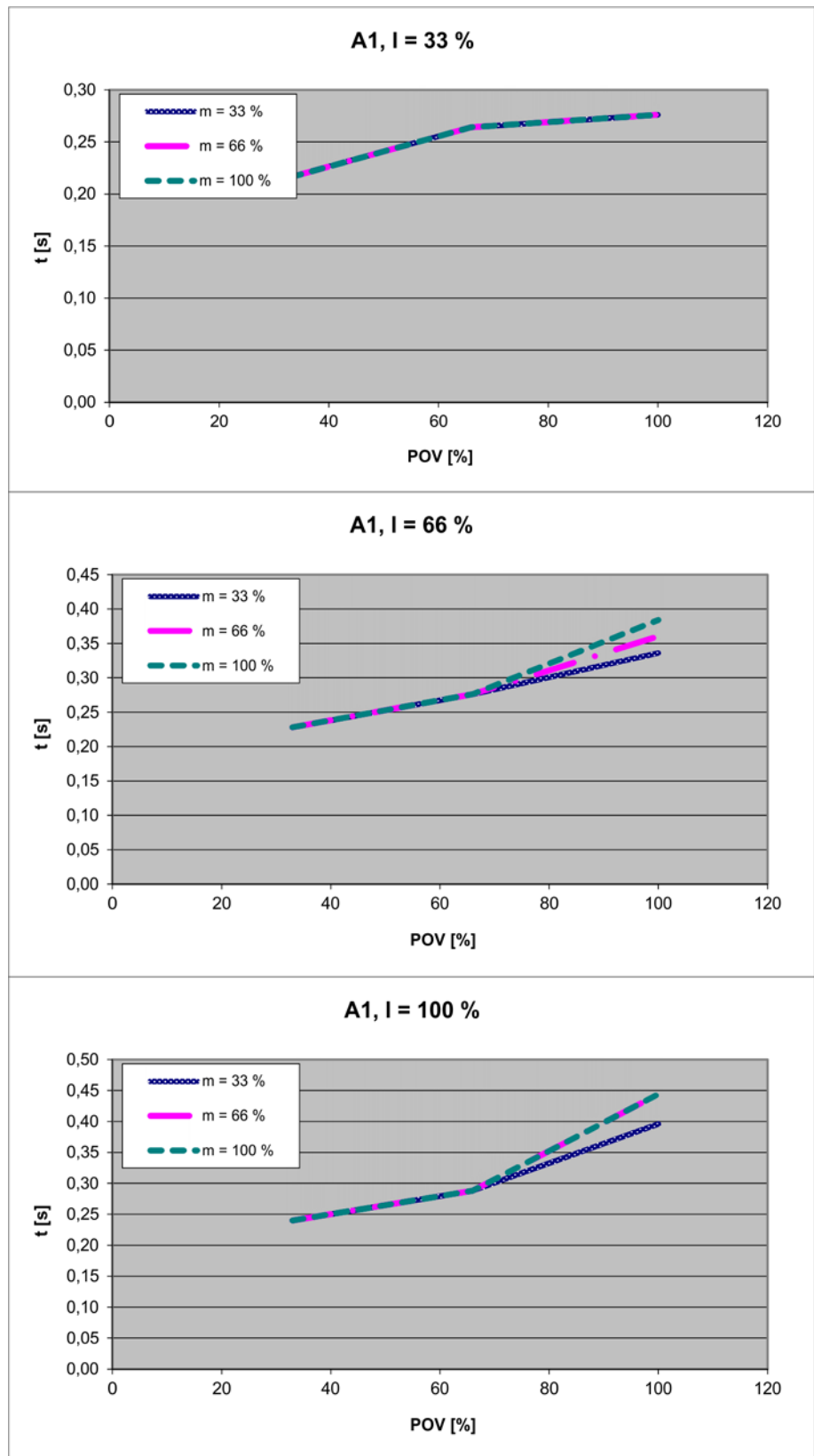


Fig. 4-37: Stopping times for STOP 1, axis 1

## 4.6.3.3 Stopping distances and stopping times for STOP 1, axis 2

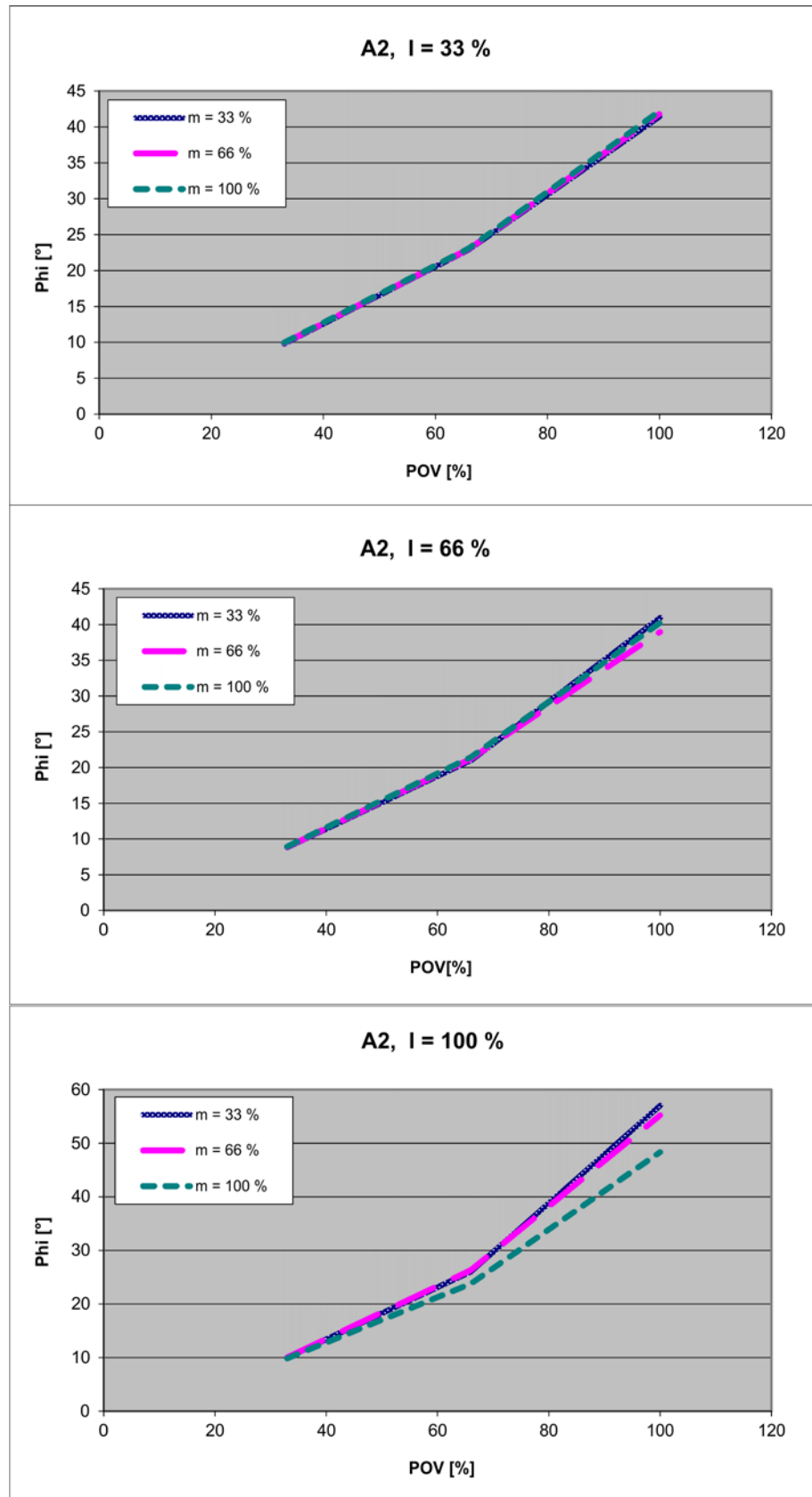


Fig. 4-38: Stopping distances for STOP 1, axis 2

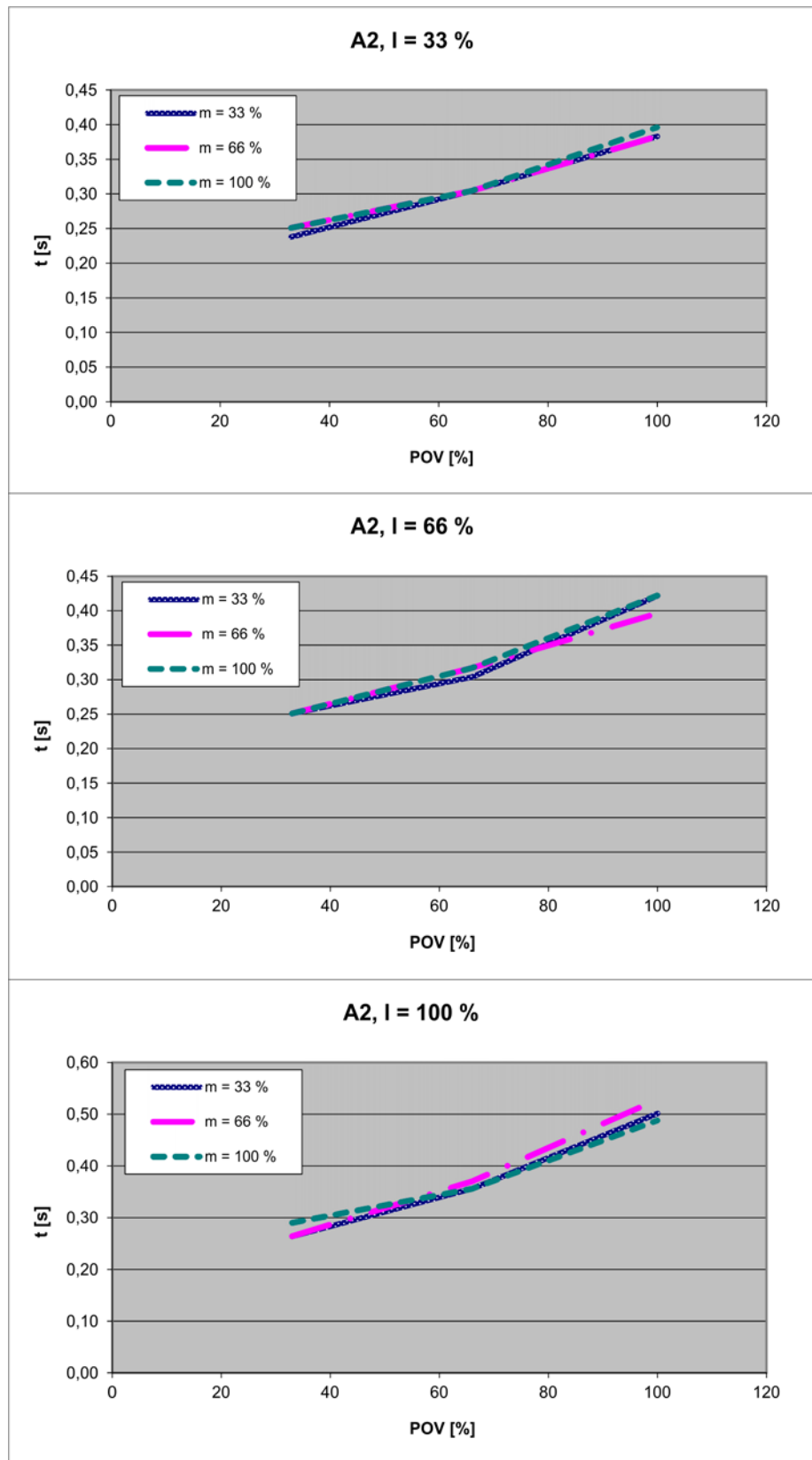


Fig. 4-39: Stopping times for STOP 1, axis 2

#### 4.6.3.4 Stopping distances and stopping times for STOP 1, axis 3

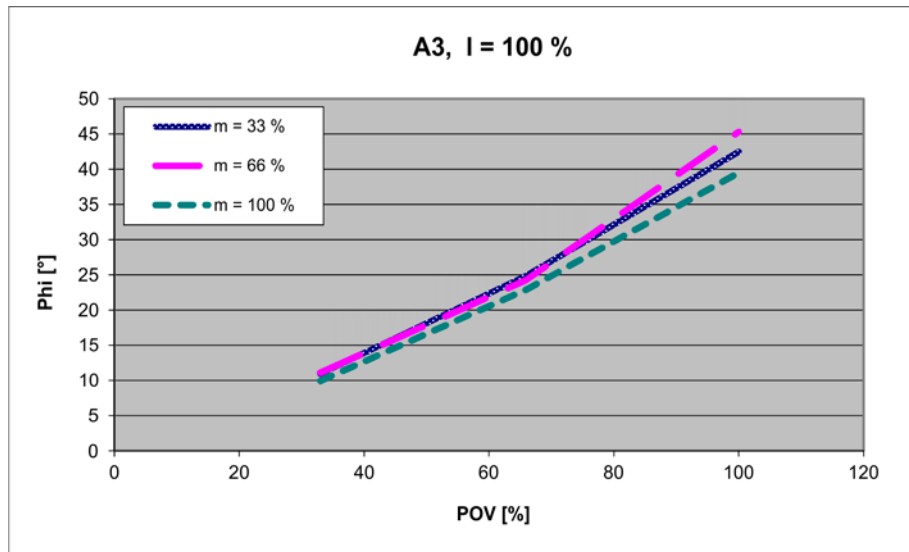


Fig. 4-40: Stopping distances for STOP 1, axis 3

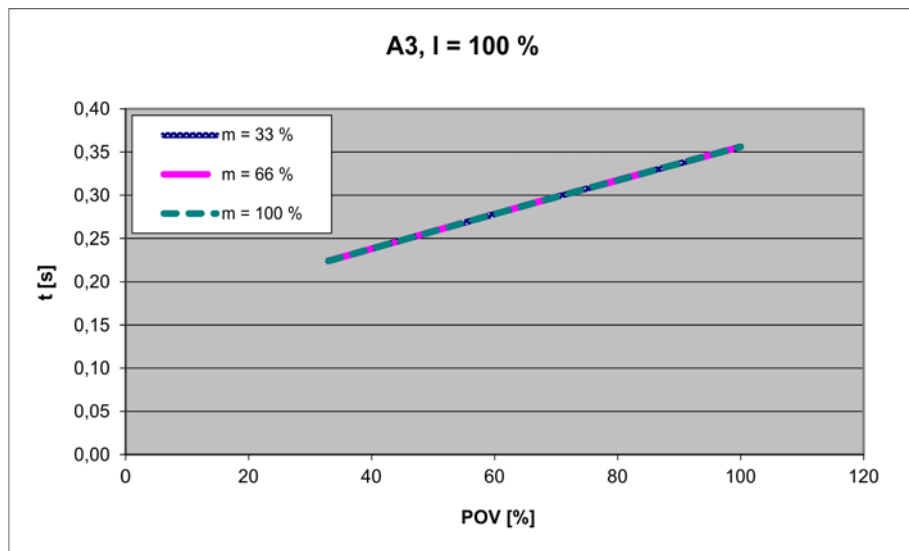


Fig. 4-41: Stopping times for STOP 1, axis 3

#### 4.6.4 Stopping distances and times, KR 8 R1620 arc HW

##### 4.6.4.1 Stopping distances and stopping times for STOP 0, axis 1 to axis 3

The table shows the stopping distances and stopping times after a STOP 0 (category 0 stop) is triggered. The values refer to the following configuration:

- Extension I = 100%
- Program override POV = 100%
- Mass m = maximum load (rated load + supplementary load on arm)

	Stopping distance (°)	Stopping time (s)
Axis 1	23.45	0.25
Axis 2	47.27	0.36
Axis 3	18.77	0.13

4.6.4.2 Stopping distances and stopping times for STOP 1, axis 1

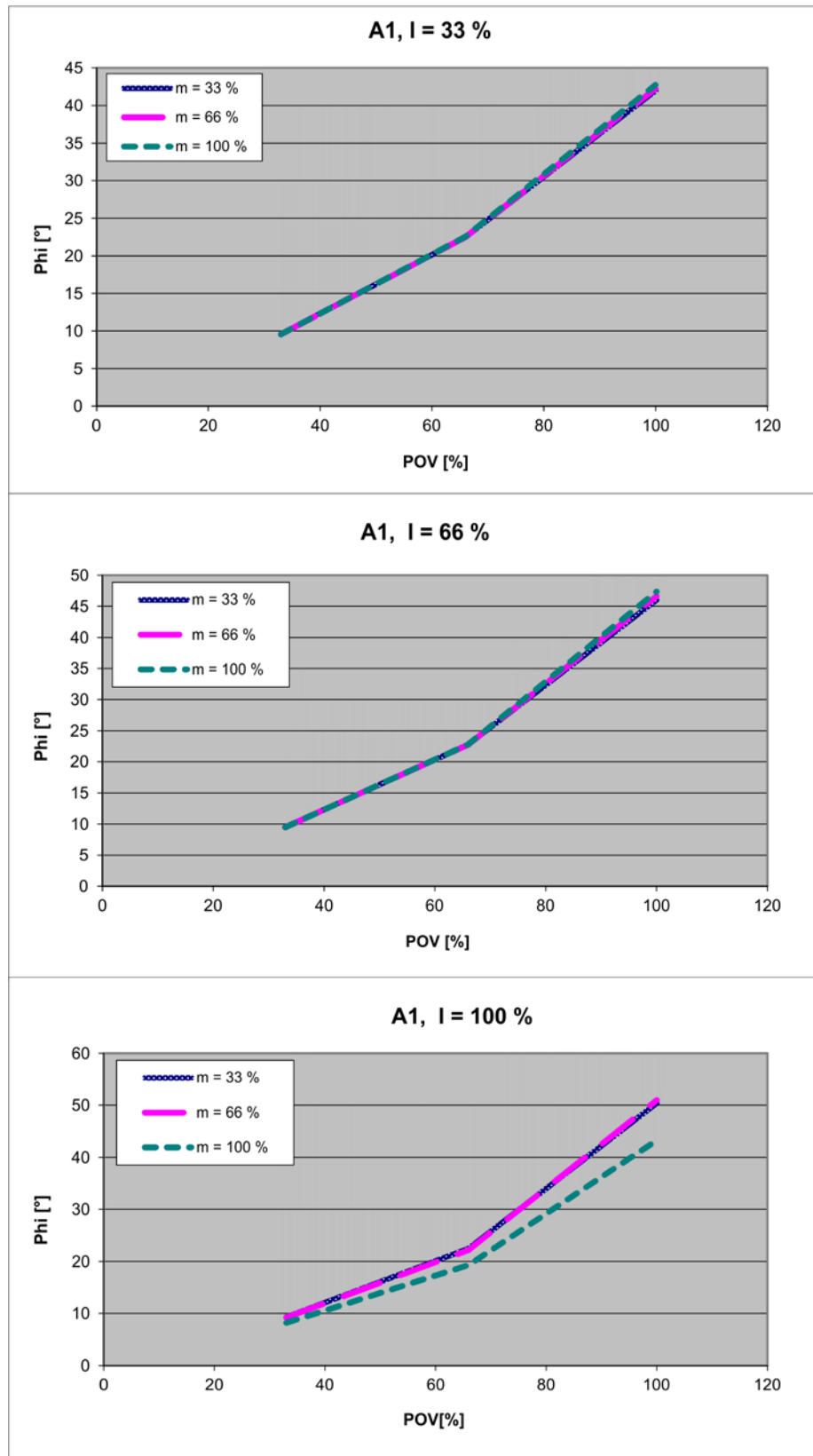


Fig. 4-42: Stopping distances for STOP 1, axis 1

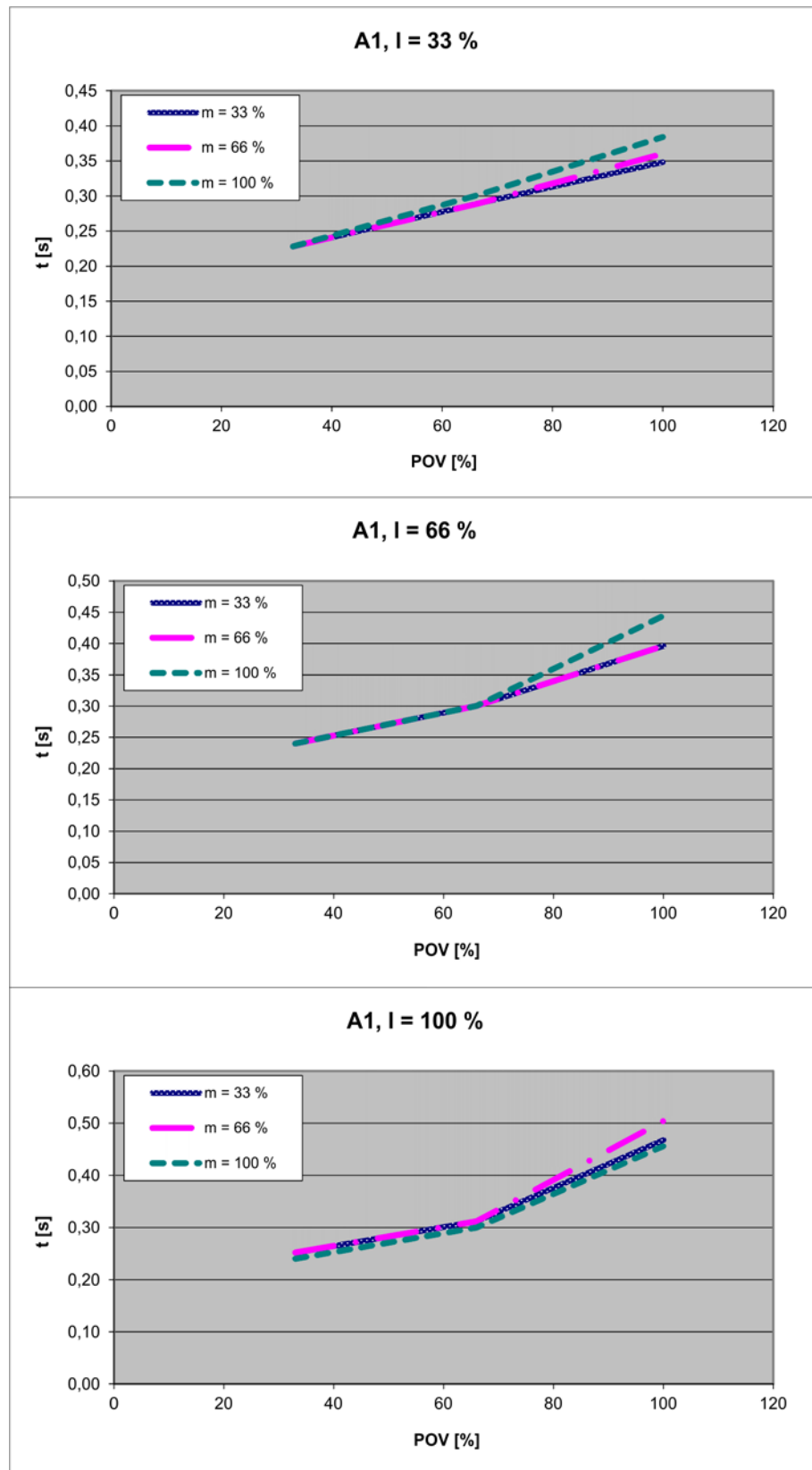


Fig. 4-43: Stopping times for STOP 1, axis 1

4.6.4.3 Stopping distances and stopping times for STOP 1, axis 2

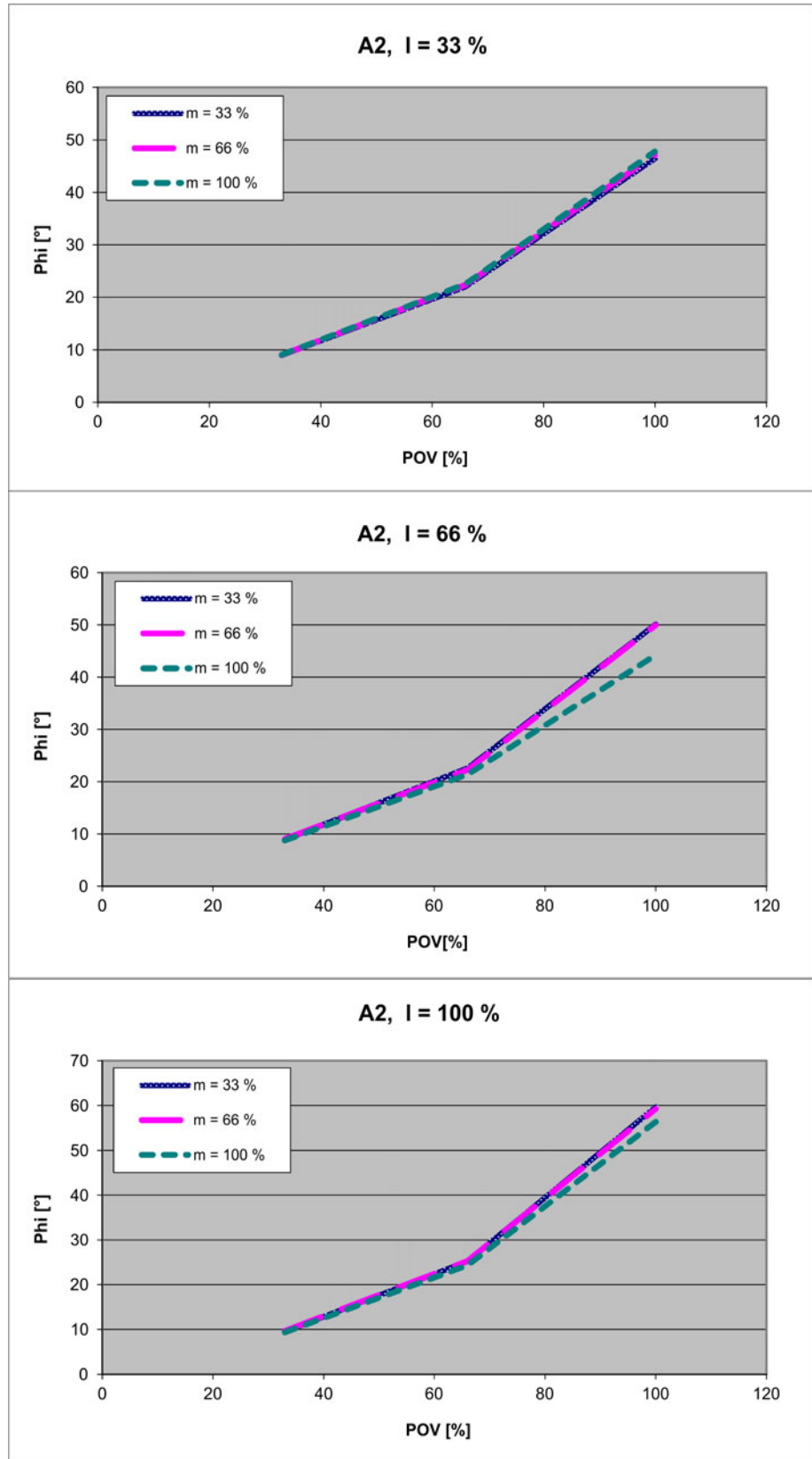


Fig. 4-44: Stopping distances for STOP 1, axis 2



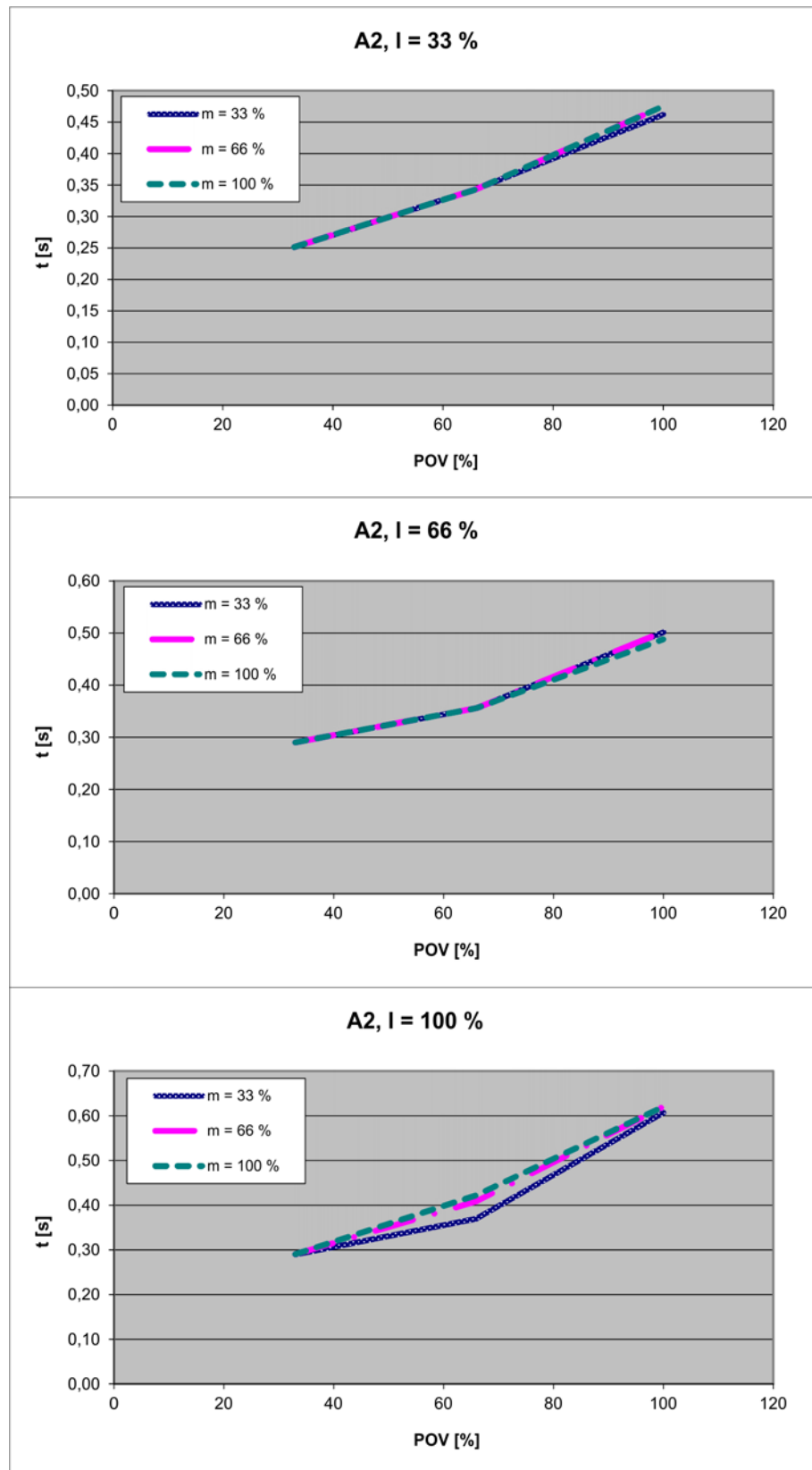


Fig. 4-45: Stopping times for STOP 1, axis 2

4.6.4.4 Stopping distances and stopping times for STOP 1, axis 3

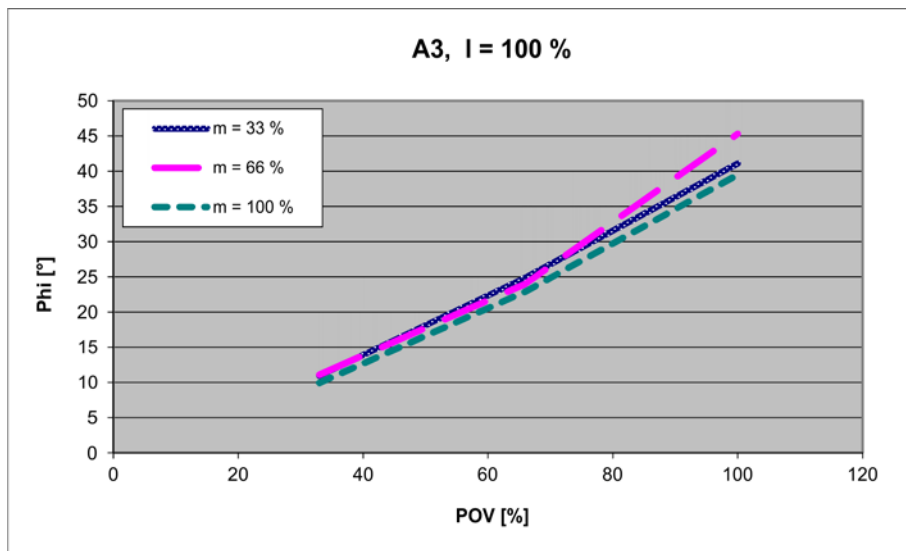


Fig. 4-46: Stopping distances for STOP 1, axis 3

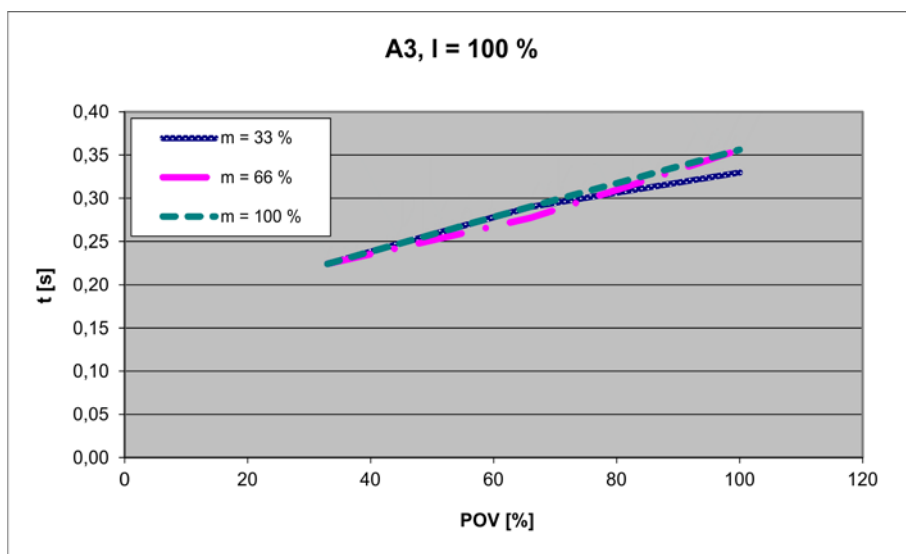


Fig. 4-47: Stopping times for STOP 1, axis 3

4.6.5 Stopping distances and times, KR 6 R1820 arc HW

4.6.5.1 Stopping distances and stopping times for STOP 0, axis 1 to axis 3

The table shows the stopping distances and stopping times after a STOP 0 (category 0 stop) is triggered. The values refer to the following configuration:

- Extension I = 100%
- Program override POV = 100%
- Mass m = maximum load (rated load + supplementary load on arm)

	Stopping distance (°)	Stopping time (s)
Axis 1	24.78	0.26
Axis 2	36.34	0.36
Axis 3	22.38	0.18

## 4.6.5.2 Stopping distances and stopping times for STOP 1, axis 1

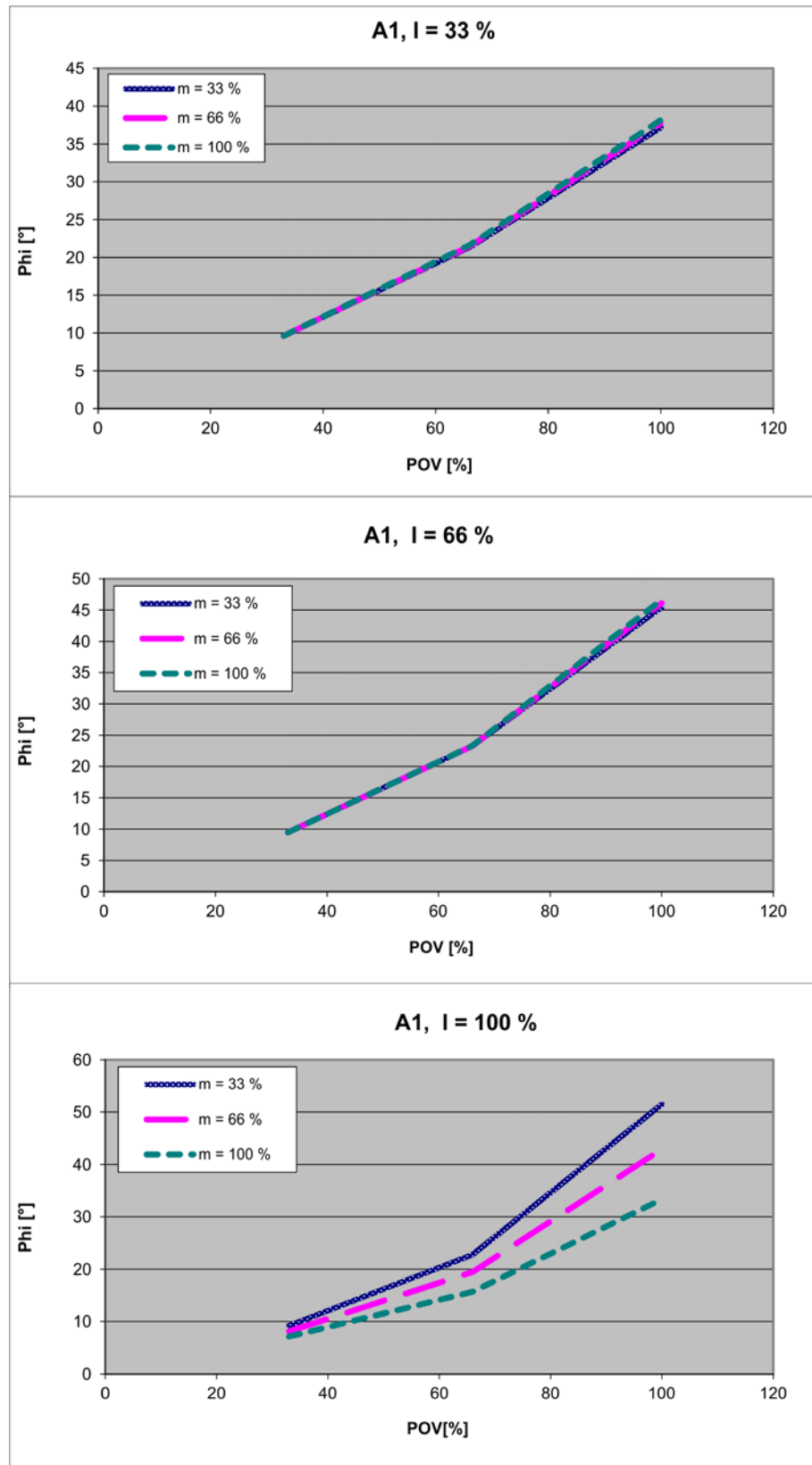


Fig. 4-48: Stopping distances for STOP 1, axis 1

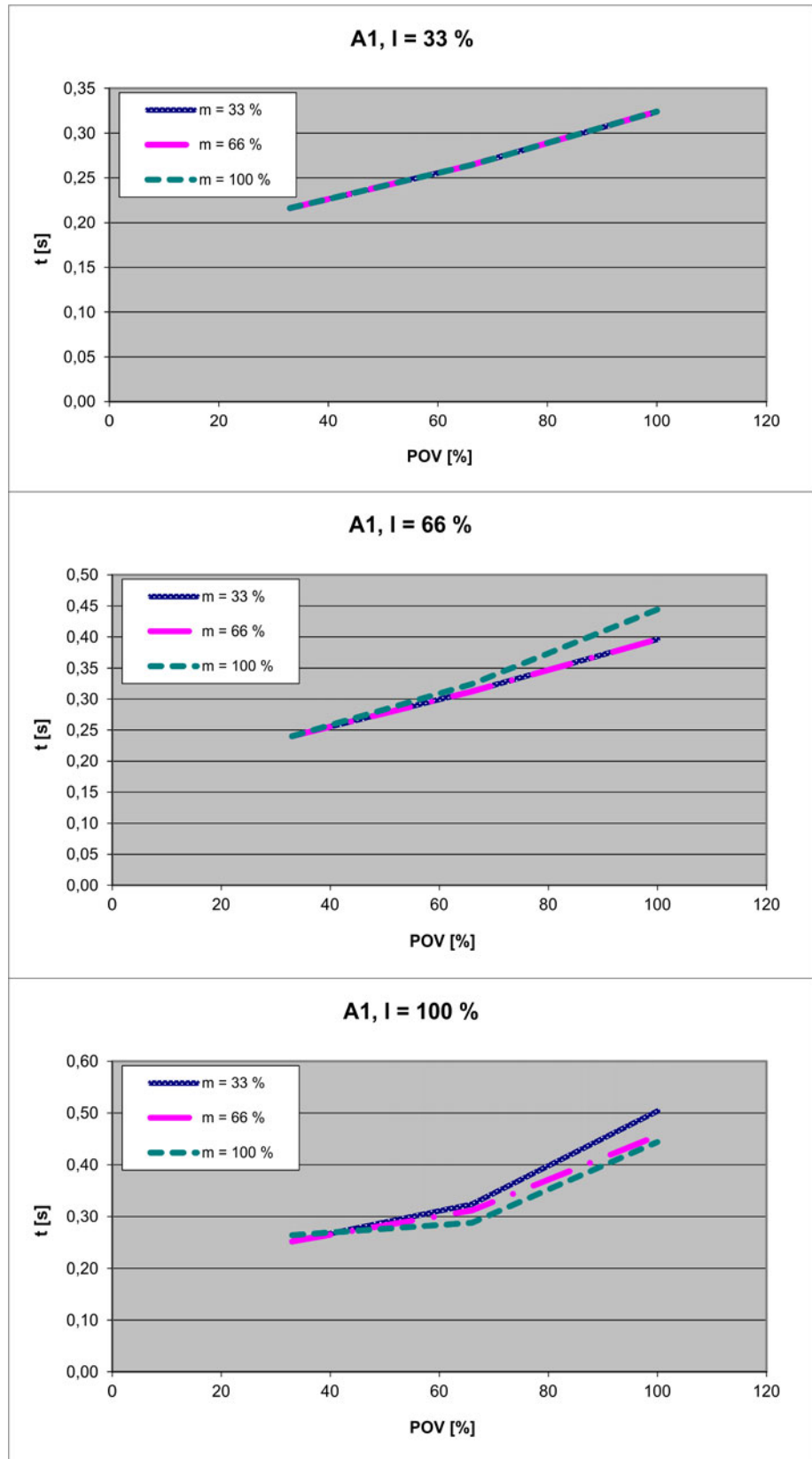


Fig. 4-49: Stopping times for STOP 1, A1

## 4.6.5.3 Stopping distances and stopping times for STOP 1, axis 2

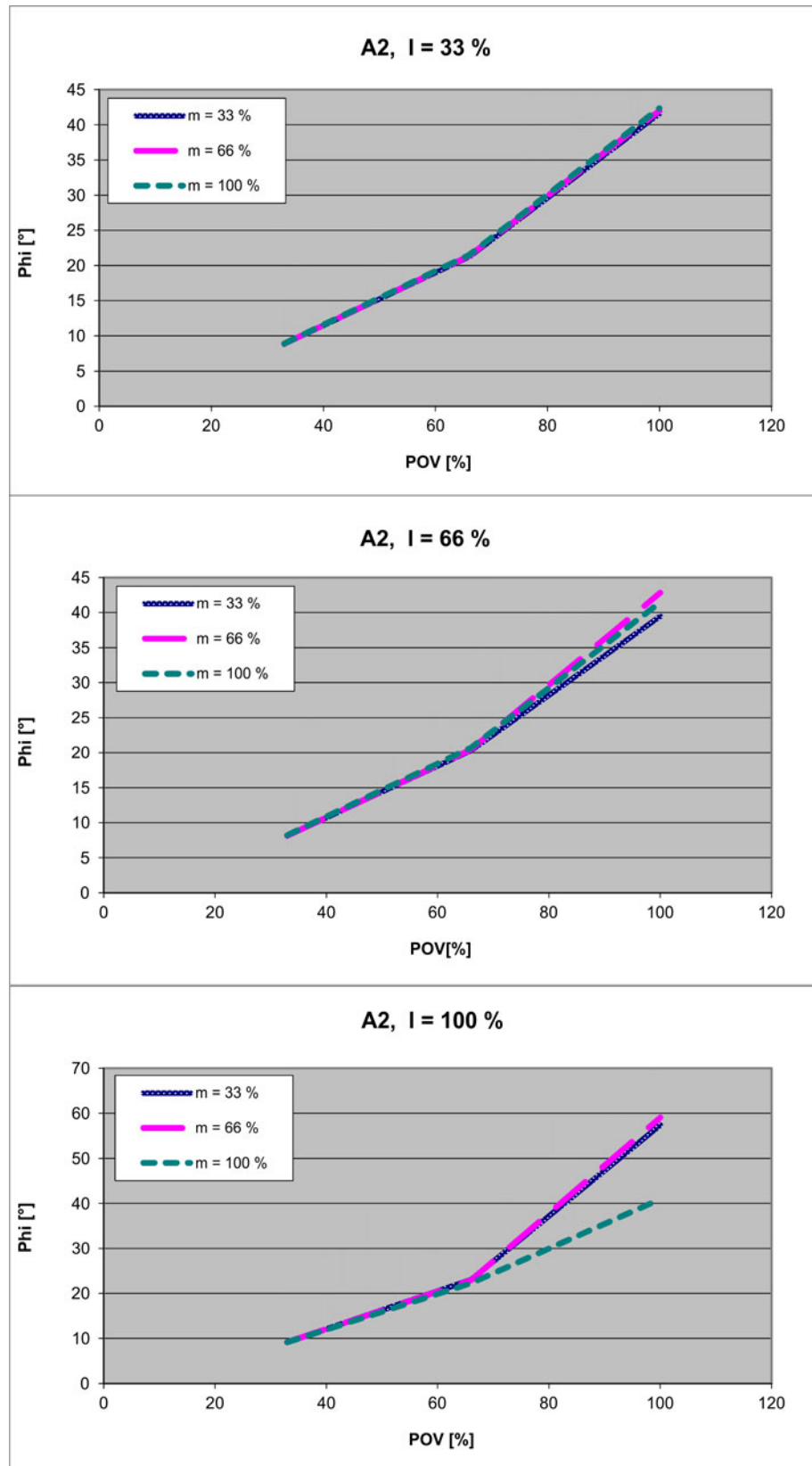


Fig. 4-50: Stopping distances for STOP 1, A2

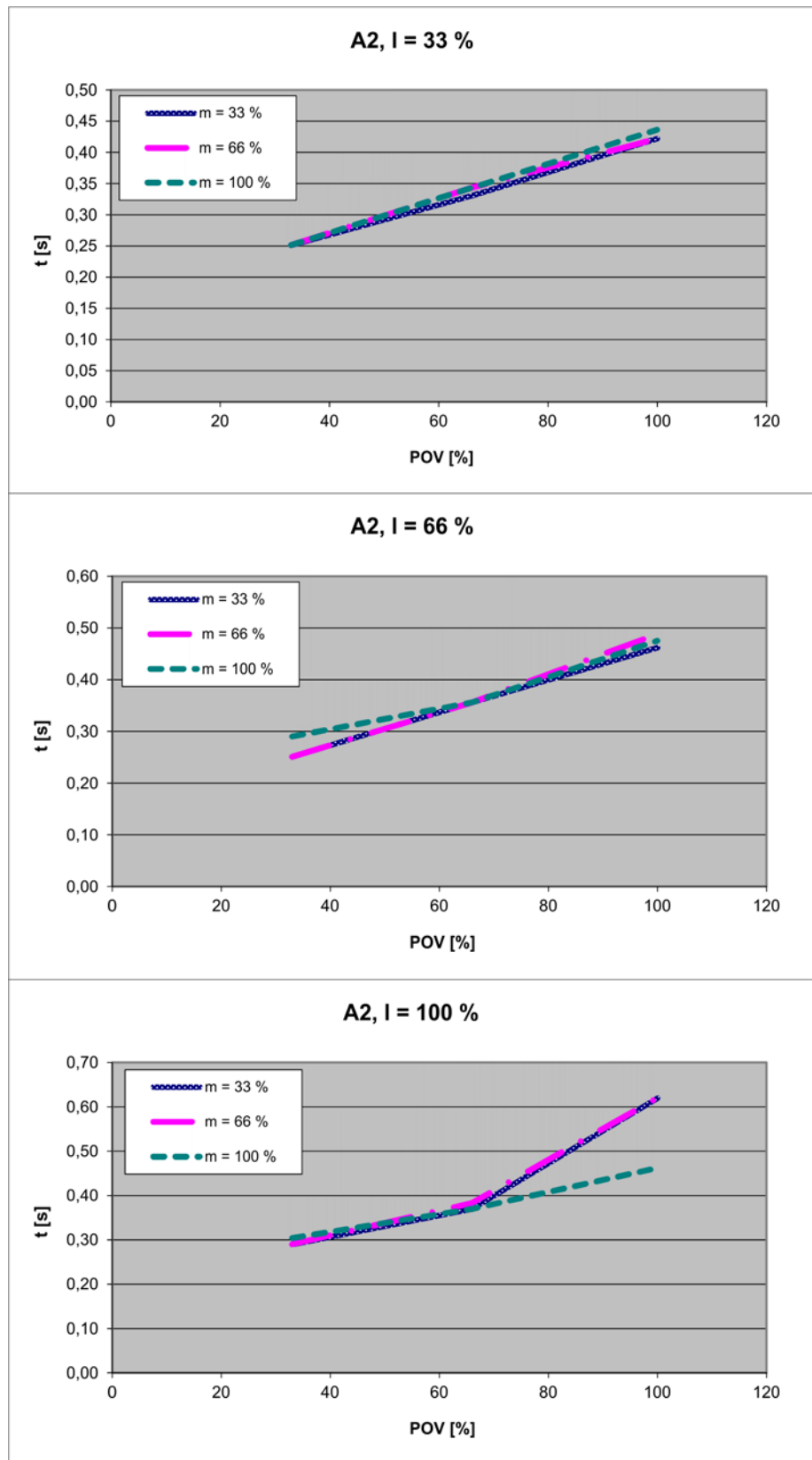


Fig. 4-51: Stopping times for STOP 1, A2

## 4.6.5.4 Stopping distances and stopping times for STOP 1, axis 3

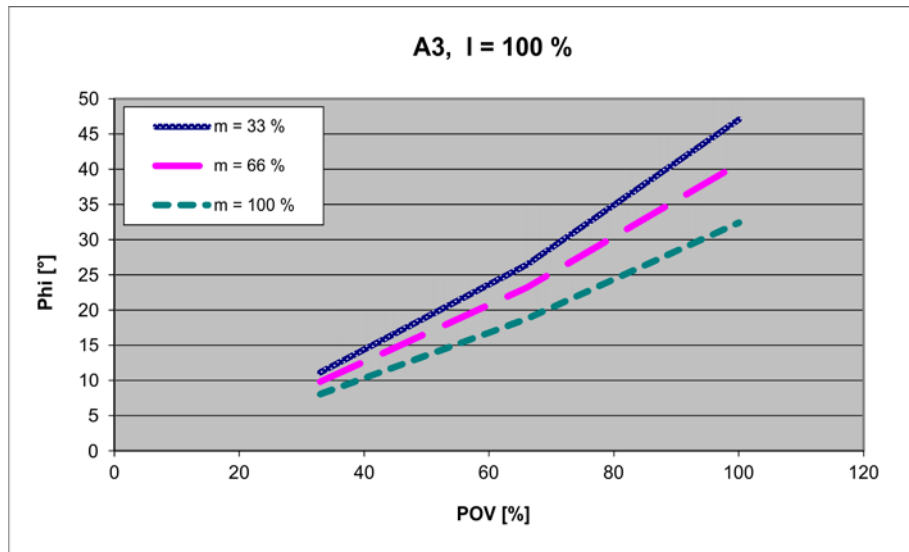


Fig. 4-52: Stopping distances for STOP 1, A3

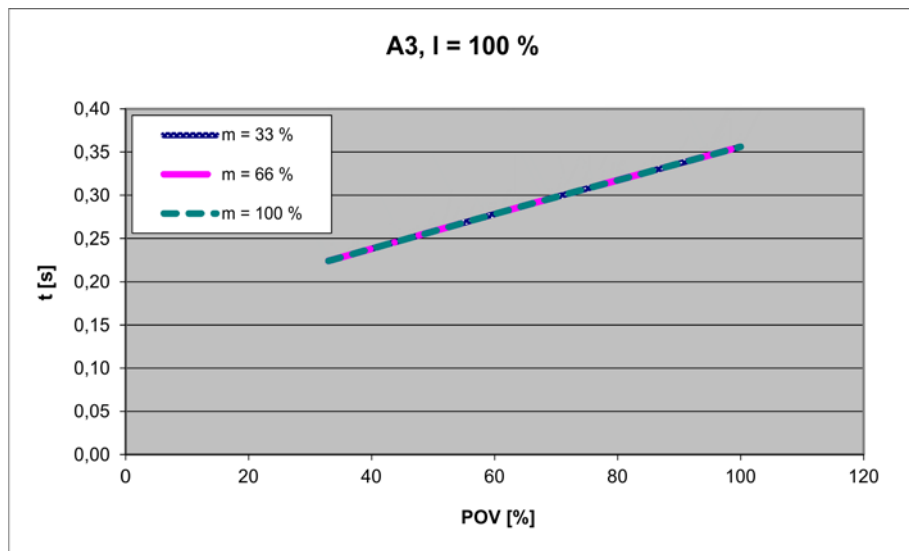


Fig. 4-53: Stopping times for STOP 1, A3





## 5 Safety

### 5.1 General



■ This “Safety” chapter refers to a mechanical component of an industrial robot.

■ If the mechanical component is used together with a KUKA robot controller, the “Safety” chapter of the operating instructions or assembly instructions of the robot controller must be used!

This contains all the information provided in this “Safety” chapter. It also contains additional safety information relating to the robot controller which must be observed.

■ Where this “Safety” chapter uses the term “industrial robot”, this also refers to the individual mechanical component if applicable.

#### 5.1.1 Liability

The device described in this document is either an industrial robot or a component thereof.

Components of the industrial robot:

- Manipulator
- Robot controller
- Teach pendant
- Connecting cables
- External axes (optional)  
e.g. linear unit, turn-tilt table, positioner
- Software
- Options, accessories

The industrial robot is built using state-of-the-art technology and in accordance with the recognized safety rules. Nevertheless, misuse of the industrial robot may constitute a risk to life and limb or cause damage to the industrial robot and to other material property.

The industrial robot may only be used in perfect technical condition in accordance with its designated use and only by safety-conscious persons who are fully aware of the risks involved in its operation. Use of the industrial robot is subject to compliance with this document and with the declaration of incorporation supplied together with the industrial robot. Any functional disorders affecting safety must be rectified immediately.

#### Safety information

Safety information cannot be held against KUKA Roboter GmbH. Even if all safety instructions are followed, this is not a guarantee that the industrial robot will not cause personal injuries or material damage.

No modifications may be carried out to the industrial robot without the authorization of KUKA Roboter GmbH. Additional components (tools, software, etc.), not supplied by KUKA Roboter GmbH, may be integrated into the industrial robot. The user is liable for any damage these components may cause to the industrial robot or to other material property.

In addition to the Safety chapter, this document contains further safety instructions. These must also be observed.

### 5.1.2 Intended use of the industrial robot

The industrial robot is intended exclusively for the use designated in the “Purpose” chapter of the operating instructions or assembly instructions.

Any use or application deviating from the intended use is deemed to be misuse and is not allowed. The manufacturer is not liable for any damage resulting from such misuse. The risk lies entirely with the user.

Operation of the industrial robot in accordance with its intended use also requires compliance with the operating and assembly instructions for the individual components, with particular reference to the maintenance specifications.

#### Misuse

Any use or application deviating from the intended use is deemed to be misuse and is not allowed. This includes e.g.:

- Transportation of persons and animals
- Use as a climbing aid
- Operation outside the specified operating parameters
- Use in potentially explosive environments
- Operation without additional safeguards
- Outdoor operation
- Underground operation

### 5.1.3 EC declaration of conformity and declaration of incorporation

The industrial robot constitutes partly completed machinery as defined by the EC Machinery Directive. The industrial robot may only be put into operation if the following preconditions are met:

- The industrial robot is integrated into a complete system.  
or: The industrial robot, together with other machinery, constitutes a complete system.  
or: All safety functions and safeguards required for operation in the complete machine as defined by the EC Machinery Directive have been added to the industrial robot.
- The complete system complies with the EC Machinery Directive. This has been confirmed by means of a conformity assessment procedure.

#### EC declaration of conformity

The system integrator must issue an EC declaration of conformity for the complete system in accordance with the Machinery Directive. The EC declaration of conformity forms the basis for the CE mark for the system. The industrial robot must always be operated in accordance with the applicable national laws, regulations and standards.

The robot controller has a CE mark in accordance with the EMC Directive and the Low Voltage Directive.

#### Declaration of incorporation

The partly completed machinery is supplied with a declaration of incorporation in accordance with Annex II B of the EC Machinery Directive 2006/42/EC. The assembly instructions and a list of essential requirements complied with in accordance with Annex I are integral parts of this declaration of incorporation.

The declaration of incorporation declares that the start-up of the partly completed machinery is not allowed until the partly completed machinery has been incorporated into machinery, or has been assembled with other parts to form machinery, and this machinery complies with the terms of the EC Machinery Directive, and the EC declaration of conformity is present in accordance with Annex II A.

### 5.1.4 Terms used

Term	Description
Axis range	Range of each axis, in degrees or millimeters, within which it may move. The axis range must be defined for each axis.
Stopping distance	Stopping distance = reaction distance + braking distance The stopping distance is part of the danger zone.
Workspace	The manipulator is allowed to move within its workspace. The workspace is derived from the individual axis ranges.
Operator (User)	The user of the industrial robot can be the management, employer or delegated person responsible for use of the industrial robot.
Danger zone	The danger zone consists of the workspace and the stopping distances.
Service life	The service life of a safety-relevant component begins at the time of delivery of the component to the customer.  The service life is not affected by whether the component is used in a robot controller or elsewhere or not, as safety-relevant components are also subject to aging during storage.
KCP	KUKA Control Panel  Teach pendant for the KR C2/KR C2 edition2005  The KCP has all the operator control and display functions required for operating and programming the industrial robot.
KUKA smartPAD	see "smartPAD"
Manipulator	The robot arm and the associated electrical installations
Safety zone	The safety zone is situated outside the danger zone.
smartPAD	Teach pendant for the KR C4  The smartPAD has all the operator control and display functions required for operating and programming the industrial robot.
Stop category 0	The drives are deactivated immediately and the brakes are applied. The manipulator and any external axes (optional) perform path-oriented braking.  <b>Note:</b> This stop category is called STOP 0 in this document.
Stop category 1	The manipulator and any external axes (optional) perform path-maintaining braking. The drives are deactivated after 1 s and the brakes are applied.  <b>Note:</b> This stop category is called STOP 1 in this document.
Stop category 2	The drives are not deactivated and the brakes are not applied. The manipulator and any external axes (optional) are braked with a normal braking ramp.  <b>Note:</b> This stop category is called STOP 2 in this document.
System integrator (plant integrator)	System integrators are people who safely integrate the industrial robot into a complete system and commission it.
T1	Test mode, Manual Reduced Velocity ( $\leq 250$ mm/s)
T2	Test mode, Manual High Velocity ( $> 250$ mm/s permissible)
External axis	Motion axis which is not part of the manipulator but which is controlled using the robot controller, e.g. KUKA linear unit, turn-tilt table, Posiflex.

## 5.2 Personnel

The following persons or groups of persons are defined for the industrial robot:

- User

- Personnel



All persons working with the industrial robot must have read and understood the industrial robot documentation, including the safety chapter.

**User**

The user must observe the labor laws and regulations. This includes e.g.:

- The user must comply with his monitoring obligations.
- The user must carry out briefing at defined intervals.

**Personnel**

Personnel must be instructed, before any work is commenced, in the type of work involved and what exactly it entails as well as any hazards which may exist. Instruction must be carried out regularly. Instruction is also required after particular incidents or technical modifications.

Personnel includes:

- System integrator
- Operators, subdivided into:
  - Start-up, maintenance and service personnel
  - Operating personnel
  - Cleaning personnel



Installation, exchange, adjustment, operation, maintenance and repair must be performed only as specified in the operating or assembly instructions for the relevant component of the industrial robot and only by personnel specially trained for this purpose.

**System integrator**

The industrial robot is safely integrated into a complete system by the system integrator.

The system integrator is responsible for the following tasks:

- Installing the industrial robot
- Connecting the industrial robot
- Performing risk assessment
- Implementing the required safety functions and safeguards
- Issuing the EC declaration of conformity
- Attaching the CE mark
- Creating the operating instructions for the system

**Operator**

The operator must meet the following preconditions:

- The operator must be trained for the work to be carried out.
- Work on the industrial robot must only be carried out by qualified personnel. These are people who, due to their specialist training, knowledge and experience, and their familiarization with the relevant standards, are able to assess the work to be carried out and detect any potential hazards.



Work on the electrical and mechanical equipment of the industrial robot may only be carried out by specially trained personnel.

### 5.3 Workspace, safety zone and danger zone

Workspaces are to be restricted to the necessary minimum size. A workspace must be safeguarded using appropriate safeguards.

The safeguards (e.g. safety gate) must be situated inside the safety zone. In the case of a stop, the manipulator and external axes (optional) are braked and come to a stop within the danger zone.

The danger zone consists of the workspace and the stopping distances of the manipulator and external axes (optional). It must be safeguarded by means of physical safeguards to prevent danger to persons or the risk of material damage.

## 5.4 Overview of protective equipment

The protective equipment of the mechanical component may include:


- Mechanical end stops
- Mechanical axis limitation (optional)
- Release device (optional)
- Brake release device (optional)
- Labeling of danger areas

Not all equipment is relevant for every mechanical component.

### 5.4.1 Mechanical end stops

Depending on the robot variant, the axis ranges of the main and wrist axes of the manipulator are partially limited by mechanical end stops.

Additional mechanical end stops can be installed on the external axes.


 **WARNING** If the manipulator or an external axis hits an obstruction or a mechanical end stop or mechanical axis limitation, the manipulator can no longer be operated safely. The manipulator must be taken out of operation and KUKA Roboter GmbH must be consulted before it is put back into operation.

### 5.4.2 Mechanical axis limitation (optional)


Some manipulators can be fitted with mechanical axis limitation systems in axes A1 to A3. The axis limitation systems restrict the working range to the required minimum. This increases personal safety and protection of the system.

In the case of manipulators that are not designed to be fitted with mechanical axis limitation, the workspace must be laid out in such a way that there is no danger to persons or material property, even in the absence of mechanical axis limitation.

If this is not possible, the workspace must be limited by means of photoelectric barriers, photoelectric curtains or obstacles on the system side. There must be no shearing or crushing hazards at the loading and transfer areas.

 This option is not available for all robot models. Information on specific robot models can be obtained from KUKA Roboter GmbH.

### 5.4.3 Options for moving the manipulator without drive energy

 The system user is responsible for ensuring that the training of personnel with regard to the response to emergencies or exceptional situations also includes how the manipulator can be moved without drive energy.

**Description**

The following options are available for moving the manipulator without drive energy after an accident or malfunction:

- Release device (optional)  
The release device can be used for the main axis drive motors and, depending on the robot variant, also for the wrist axis drive motors.
- Brake release device (option)  
The brake release device is designed for robot variants whose motors are not freely accessible.
- Moving the wrist axes directly by hand  
There is no release device available for the wrist axes of variants in the low payload category. This is not necessary because the wrist axes can be moved directly by hand.



Information about the options available for the various robot models and about how to use them can be found in the assembly and operating instructions for the robot or requested from KUKA Roboter GmbH.

**NOTICE**

Moving the manipulator without drive energy can damage the motor brakes of the axes concerned. The motor must be replaced if the brake has been damaged. The manipulator may therefore be moved without drive energy only in emergencies, e.g. for rescuing persons.

**5.4.4 Labeling on the industrial robot**

All plates, labels, symbols and marks constitute safety-relevant parts of the industrial robot. They must not be modified or removed.

Labeling on the industrial robot consists of:

- Identification plates
- Warning signs
- Safety symbols
- Designation labels
- Cable markings
- Rating plates



Further information is contained in the technical data of the operating instructions or assembly instructions of the components of the industrial robot.

**5.5 Safety measures****5.5.1 General safety measures**

The industrial robot may only be used in perfect technical condition in accordance with its intended use and only by safety-conscious persons. Operator errors can result in personal injury and damage to property.

It is important to be prepared for possible movements of the industrial robot even after the robot controller has been switched off and locked out. Incorrect installation (e.g. overload) or mechanical defects (e.g. brake defect) can cause the manipulator or external axes to sag. If work is to be carried out on a switched-off industrial robot, the manipulator and external axes must first be moved into a position in which they are unable to move on their own, whether

the payload is mounted or not. If this is not possible, the manipulator and external axes must be secured by appropriate means.

**⚠ DANGER** In the absence of operational safety functions and safeguards, the industrial robot can cause personal injury or material damage. If safety functions or safeguards are dismantled or deactivated, the industrial robot may not be operated.

**⚠ DANGER** Standing underneath the robot arm can cause death or injuries. For this reason, standing underneath the robot arm is prohibited!

**⚠ CAUTION** The motors reach temperatures during operation which can cause burns to the skin. Contact must be avoided. Appropriate safety precautions must be taken, e.g. protective gloves must be worn.

### KCP/smartPAD

The user must ensure that the industrial robot is only operated with the KCP/smartPAD by authorized persons.

If more than one KCP/smartPAD is used in the overall system, it must be ensured that each device is unambiguously assigned to the corresponding industrial robot. They must not be interchanged.

**⚠ WARNING** The operator must ensure that decoupled KCPs/smartPADs are immediately removed from the system and stored out of sight and reach of personnel working on the industrial robot. This serves to prevent operational and non-operational EMERGENCY STOP devices from becoming interchanged. Failure to observe this precaution may result in death, severe injuries or considerable damage to property.

### External keyboard, external mouse

An external keyboard and/or external mouse may only be used if the following conditions are met:

- Start-up or maintenance work is being carried out.
- The drives are switched off.
- There are no persons in the danger zone.

The KCP/smartPAD must not be used as long as an external keyboard and/or external mouse are connected to the control cabinet.

The external keyboard and/or external mouse must be removed from the control cabinet as soon as the start-up or maintenance work is completed or the KCP/smartPAD is connected.

### Modifications

After modifications to the industrial robot, checks must be carried out to ensure the required safety level. The valid national or regional work safety regulations must be observed for this check. The correct functioning of all safety functions must also be tested.

New or modified programs must always be tested first in Manual Reduced Velocity mode (T1).

After modifications to the industrial robot, existing programs must always be tested first in Manual Reduced Velocity mode (T1). This applies to all components of the industrial robot and includes modifications to the software and configuration settings.

### Faults

The following tasks must be carried out in the case of faults in the industrial robot:



- Switch off the robot controller and secure it (e.g. with a padlock) to prevent unauthorized persons from switching it on again.
- Indicate the fault by means of a label with a corresponding warning (tag-out).
- Keep a record of the faults.
- Eliminate the fault and carry out a function test.

### 5.5.2 Transportation

#### Manipulator

The prescribed transport position of the manipulator must be observed. Transportation must be carried out in accordance with the operating instructions or assembly instructions of the robot.

Avoid vibrations and impacts during transportation in order to prevent damage to the manipulator.

#### Robot controller

The prescribed transport position of the robot controller must be observed. Transportation must be carried out in accordance with the operating instructions or assembly instructions of the robot controller.

Avoid vibrations and impacts during transportation in order to prevent damage to the robot controller.

#### External axis (optional)

The prescribed transport position of the external axis (e.g. KUKA linear unit, turn-tilt table, positioner) must be observed. Transportation must be carried out in accordance with the operating instructions or assembly instructions of the external axis.

### 5.5.3 Start-up and recommissioning

Before starting up systems and devices for the first time, a check must be carried out to ensure that the systems and devices are complete and operational, that they can be operated safely and that any damage is detected.

The valid national or regional work safety regulations must be observed for this check. The correct functioning of all safety circuits must also be tested.



The passwords for logging onto the KUKA System Software as “Expert” and “Administrator” must be changed before start-up and must only be communicated to authorized personnel.



The robot controller is preconfigured for the specific industrial robot. If cables are interchanged, the manipulator and the external axes (optional) may receive incorrect data and can thus cause personal injury or material damage. If a system consists of more than one manipulator, always connect the connecting cables to the manipulators and their corresponding robot controllers.




If additional components (e.g. cables), which are not part of the scope of supply of KUKA Roboter GmbH, are integrated into the industrial robot, the user is responsible for ensuring that these components do not adversely affect or disable safety functions.

#### **NOTICE**

If the internal cabinet temperature of the robot controller differs greatly from the ambient temperature, condensation can form, which may cause damage to the electrical components. Do not put the robot controller into operation until the internal temperature of the cabinet has adjusted to the ambient temperature.



- Function test** The following tests must be carried out before start-up and recommissioning:  
It must be ensured that:
- The industrial robot is correctly installed and fastened in accordance with the specifications in the documentation.
  - There is no damage to the robot that could be attributed to external forces.  
Example: Dents or abrasion that could be caused by an impact or collision.

 **WARNING** In the case of such damage, the affected components must be exchanged. In particular, the motor and counterbalancing system must be checked carefully.  
External forces can cause non-visible damage. For example, it can lead to a gradual loss of drive power from the motor, resulting in unintended movements of the manipulator. Death, injuries or considerable damage to property may otherwise result.

- There are no foreign bodies or loose parts on the industrial robot.
- All required safety equipment is correctly installed and operational.
- The power supply ratings of the industrial robot correspond to the local supply voltage and mains type.
- The ground conductor and the equipotential bonding cable are sufficiently rated and correctly connected.
- The connecting cables are correctly connected and the connectors are locked.

#### 5.5.4 Manual mode

Manual mode is the mode for setup work. Setup work is all the tasks that have to be carried out on the industrial robot to enable automatic operation. Setup work includes:

- Jog mode
- Teaching
- Programming
- Program verification

The following must be taken into consideration in manual mode:

- If the drives are not required, they must be switched off to prevent the manipulator or the external axes (optional) from being moved unintentionally.
- New or modified programs must always be tested first in Manual Reduced Velocity mode (T1).
- The manipulator, tooling or external axes (optional) must never touch or project beyond the safety fence.
- Workpieces, tooling and other objects must not become jammed as a result of the industrial robot motion, nor must they lead to short-circuits or be liable to fall off.
- All setup work must be carried out, where possible, from outside the safeguarded area.

If the setup work has to be carried out inside the safeguarded area, the following must be taken into consideration:

In **Manual Reduced Velocity mode (T1)**:

- If it can be avoided, there must be no other persons inside the safeguarded area.  
If it is necessary for there to be several persons inside the safeguarded area, the following must be observed:
  - Each person must have an enabling device.

- All persons must have an unimpeded view of the industrial robot.
- Eye-contact between all persons must be possible at all times.
- The operator must be so positioned that he can see into the danger area and get out of harm's way.

In **Manual High Velocity mode (T2)**:

- This mode may only be used if the application requires a test at a velocity higher than possible in T1 mode.
- Teaching and programming are not permissible in this operating mode.
- Before commencing the test, the operator must ensure that the enabling devices are operational.
- The operator must be positioned outside the danger zone.
- There must be no other persons inside the safeguarded area. It is the responsibility of the operator to ensure this.

### 5.5.5 Automatic mode

Automatic mode is only permissible in compliance with the following safety measures:

- All safety equipment and safeguards are present and operational.
- There are no persons in the system.
- The defined working procedures are adhered to.

If the manipulator or an external axis (optional) comes to a standstill for no apparent reason, the danger zone must not be entered until an EMERGENCY STOP has been triggered.


### 5.5.6 Maintenance and repair

After maintenance and repair work, checks must be carried out to ensure the required safety level. The valid national or regional work safety regulations must be observed for this check. The correct functioning of all safety functions must also be tested.

The purpose of maintenance and repair work is to ensure that the system is kept operational or, in the event of a fault, to return the system to an operational state. Repair work includes troubleshooting in addition to the actual repair itself.

The following safety measures must be carried out when working on the industrial robot:

- Carry out work outside the danger zone. If work inside the danger zone is necessary, the user must define additional safety measures to ensure the safe protection of personnel.
- Switch off the industrial robot and secure it (e.g. with a padlock) to prevent it from being switched on again. If it is necessary to carry out work with the robot controller switched on, the user must define additional safety measures to ensure the safe protection of personnel.
- If it is necessary to carry out work with the robot controller switched on, this may only be done in operating mode T1.
- Label the system with a sign indicating that work is in progress. This sign must remain in place, even during temporary interruptions to the work.
- The EMERGENCY STOP devices must remain active. If safety functions or safeguards are deactivated during maintenance or repair work, they must be reactivated immediately after the work is completed.

 **DANGER** Before work is commenced on live parts of the robot system, the main switch must be turned off and secured against being switched on again. The system must then be checked to ensure that it is deenergized. It is not sufficient, before commencing work on live parts, to execute an EMERGENCY STOP or a safety stop, or to switch off the drives, as this does not disconnect the robot system from the mains power supply. Parts remain energized. Death or severe injuries may result.

Faulty components must be replaced using new components with the same article numbers or equivalent components approved by KUKA Roboter GmbH for this purpose.

Cleaning and preventive maintenance work is to be carried out in accordance with the operating instructions.

### Robot controller

Even when the robot controller is switched off, parts connected to peripheral devices may still carry voltage. The external power sources must therefore be switched off if work is to be carried out on the robot controller.

The ESD regulations must be adhered to when working on components in the robot controller.

Voltages in excess of 50 V (up to 600 V) can be present in various components for several minutes after the robot controller has been switched off! To prevent life-threatening injuries, no work may be carried out on the industrial robot in this time.

Water and dust must be prevented from entering the robot controller.

### Counterbalancing system

Some robot variants are equipped with a hydropneumatic, spring or gas cylinder counterbalancing system.

The hydropneumatic and gas cylinder counterbalancing systems are pressure equipment and, as such, are subject to obligatory equipment monitoring and the provisions of the Pressure Equipment Directive.

The user must comply with the applicable national laws, regulations and standards pertaining to pressure equipment.

Inspection intervals in Germany in accordance with Industrial Safety Order, Sections 14 and 15. Inspection by the user before commissioning at the installation site.

The following safety measures must be carried out when working on the counterbalancing system:

- The manipulator assemblies supported by the counterbalancing systems must be secured.
- Work on the counterbalancing systems must only be carried out by qualified personnel.

### Hazardous substances

The following safety measures must be carried out when handling hazardous substances:

- Avoid prolonged and repeated intensive contact with the skin.
- Avoid breathing in oil spray or vapors.
- Clean skin and apply skin cream.



To ensure safe use of our products, we recommend regularly re-requesting up-to-date safety data sheets for hazardous substances.

### 5.5.7 Decommissioning, storage and disposal

The industrial robot must be decommissioned, stored and disposed of in accordance with the applicable national laws, regulations and standards.

## 5.6 Applied norms and regulations

Name	Definition	Edition
<b>2006/42/EC</b>	<b>Machinery Directive:</b> Directive 2006/42/EC of the European Parliament and of the Council of 17 May 2006 on machinery, and amending Directive 95/16/EC (recast)	2006
<b>2014/30/EU</b>	<b>EMC Directive:</b> Directive 2014/30/EC of the European Parliament and of the Council of 26 February 2014 on the approximation of the laws of the Member States concerning electromagnetic compatibility	2014
<b>2014/68/EU</b>	<b>Pressure Equipment Directive:</b> Directive 2014/68/EU of the European Parliament and of the Council of 15 May 2014 on the approximation of the laws of the Member States concerning pressure equipment  (Only applicable for robots with hydropneumatic counterbalancing system.)	2014
<b>EN ISO 13850</b>	<b>Safety of machinery:</b> Emergency stop - Principles for design	2015
<b>EN ISO 13849-1</b>	<b>Safety of machinery:</b> Safety-related parts of control systems - Part 1: General principles of design	2015
<b>EN ISO 13849-2</b>	<b>Safety of machinery:</b> Safety-related parts of control systems - Part 2: Validation	2012
<b>EN ISO 12100</b>	<b>Safety of machinery:</b> General principles of design, risk assessment and risk reduction	2010
<b>EN ISO 10218-1</b>	<b>Industrial robots – Safety requirements</b> Part 1: Robots  <b>Note:</b> Content equivalent to <b>ANSI/RIA R.15.06-2012, Part 1</b>	2011
<b>EN 614-1 + A1</b>	<b>Safety of machinery:</b> Ergonomic design principles - Part 1: Terms and general principles	2009

<b>EN 61000-6-2</b>	<b>Electromagnetic compatibility (EMC):</b> Part 6-2: Generic standards; Immunity for industrial environments	2005
<b>EN 61000-6-4 + A1</b>	<b>Electromagnetic compatibility (EMC):</b> Part 6-4: Generic standards; Emission standard for industrial environments	2011
<b>EN 60204-1 + A1</b>	<b>Safety of machinery:</b> Electrical equipment of machines - Part 1: General requirements	2009



## 6 Planning

### 6.1 Information for planning

In the planning and design phase, care must be taken regarding the functions or applications to be executed by the kinematic system. The following conditions can lead to premature wear. They necessitate shorter maintenance intervals and/or earlier exchange of components. In addition, the permissible operating parameters specified in the technical data must be taken into account and observed during planning.

- Continuous operation near temperature limits or in abrasive environments
- Continuous operation close to the performance limits, e.g. high rpm of an axis
- High duty cycle of individual axes
- Monotonous motion profiles, e.g. short, frequently recurring axis motions
- Static axis positions, e.g. continuous vertical position of a wrist axis
- External forces (process forces) acting on the robot

If one or more of these conditions are to apply during operation of the kinematic system, KUKA Roboter GmbH must be consulted.

If the robot reaches its corresponding operation limit or if it is operated near the limit for a period of time, the built-in monitoring functions come into effect and the robot is automatically switched off.

This protective function can limit the availability of the robot system.

### 6.2 Mounting base

#### Description

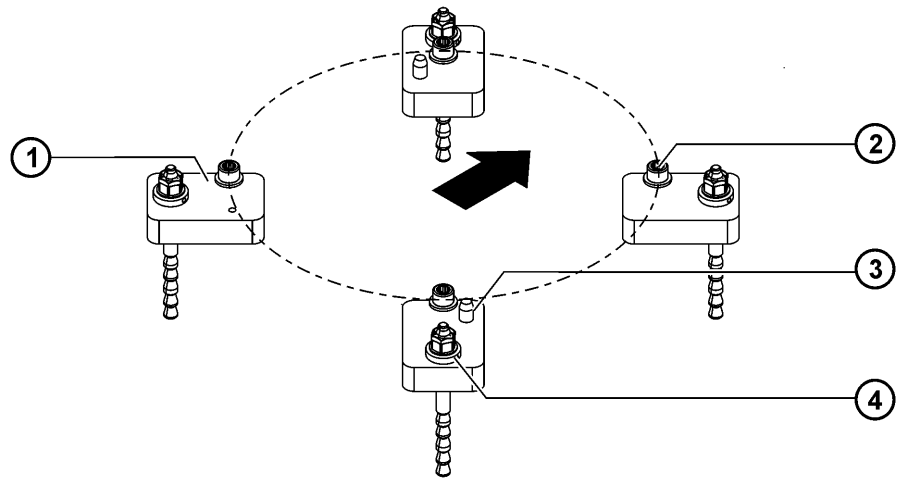
The mounting base with centering is used when the robot is fastened to the floor, i.e. directly on a concrete foundation. The following variant is available:

- Mounting base with centering

This mounting base variant consists of:

- Bedplates
- Resin-bonded anchors (chemical anchors)
- Fastening elements

This mounting variant requires a level and smooth surface on a concrete foundation with adequate load bearing capacity.



**Fig. 6-1: Mounting base**

- 1 Bedplate, 4x
- 2 Allen screw with conical spring washer, 4x
- 3 Locating pin, 2x
- 4 Resin-bonded anchor (chemical anchor), 4x

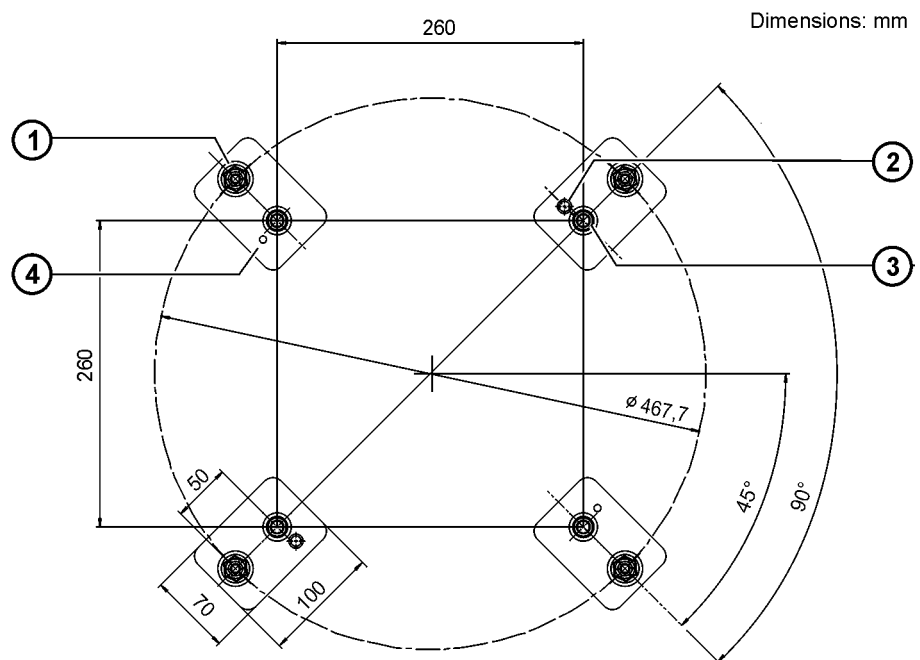
**Grade of concrete for foundations**

When producing foundations from concrete, observe the load-bearing capacity of the ground and the country-specific construction regulations. There must be no layers of insulation or screed between the bedplates and the concrete foundation. The quality of the concrete must meet the requirements of the following standard:

- C20/25 according to DIN EN 206-1:2001/DIN 1045-2:2008

**Dimensioned drawing**

The following illustration (>>> Fig. 6-2 ) provides all the necessary information on the mounting base, together with the required foundation data.



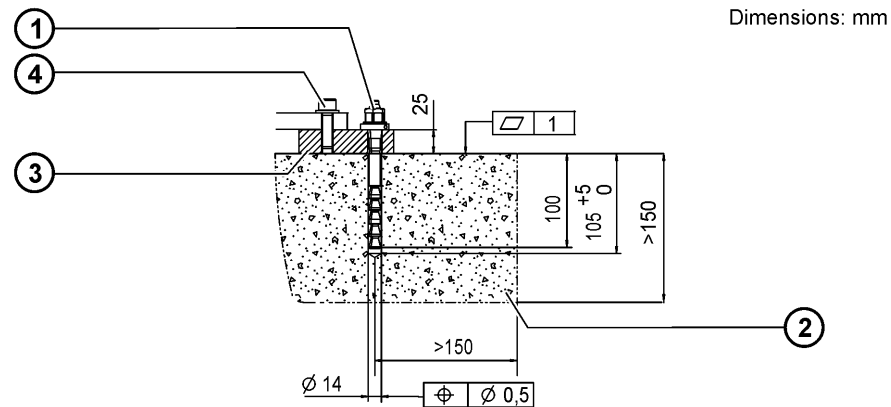
**Fig. 6-2: Mounting base, dimensioned drawing**

- 1 Resin-bonded anchor (chemical anchor)
- 2 Locating pin



- 3 Allen screw
- 4 Bedplate

To ensure that the anchor forces are safely transmitted to the foundation, observe the dimensions for concrete foundations specified in the following illustration (>>> Fig. 6-3 ). The specified foundation dimensions refer to the safe transmission of the foundation loads into the foundation and not to the stability of the foundation.



**Fig. 6-3: Cross-section of foundations**

- |   |                     |   |             |
|---|---------------------|---|-------------|
| 1 | Chemical anchors    | 3 | Bedplate    |
| 2 | Concrete foundation | 4 | Allen screw |

### 6.3 Machine frame mounting

#### Description

The machine frame mounting (>>> Fig. 6-4 ) with centering is used for installing the robot on a steel structure provided by the customer or on the carriage of a KUKA linear unit. The mounting surface for the robot must be machined and of an appropriate quality. The robot is fastened to the machine frame mounting option using 4 Allen screws. Two support pins are used for centering.

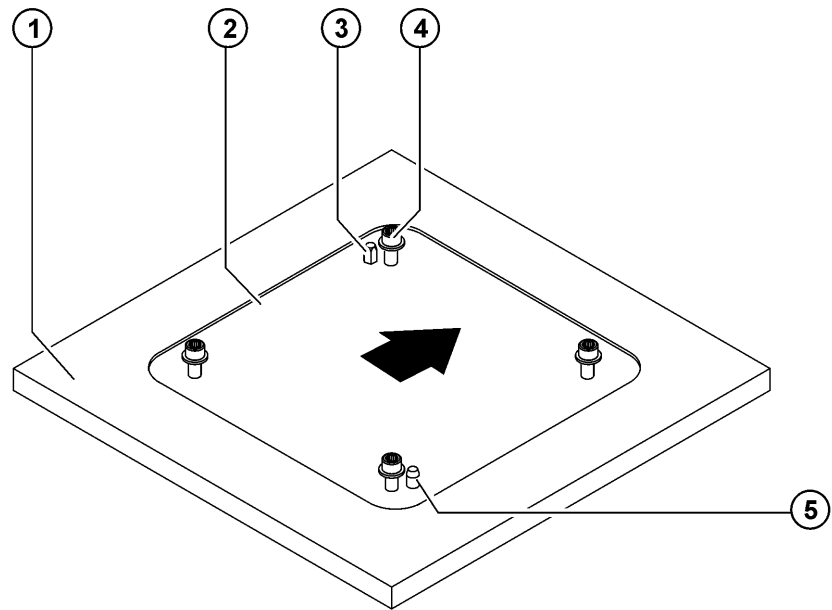
The steel structure used by the customer must be designed in such a way that the forces generated (mounting base load, maximum load (>>> 4 "Technical data" Page 13)) are safely transmitted via the screw connection and the necessary stiffness is ensured. The specified surface values and tightening torques must be observed.

The following values must be taken into consideration in the design:

- Bolt force:  $F_s = 62 \text{ kN}$
- Stripping safety: The material of the substructure must be selected so that the stripping safety is ensured (e.g. S355J2G3).

The machine frame mounting assembly consists of:

- Locating pin
- Allen screws

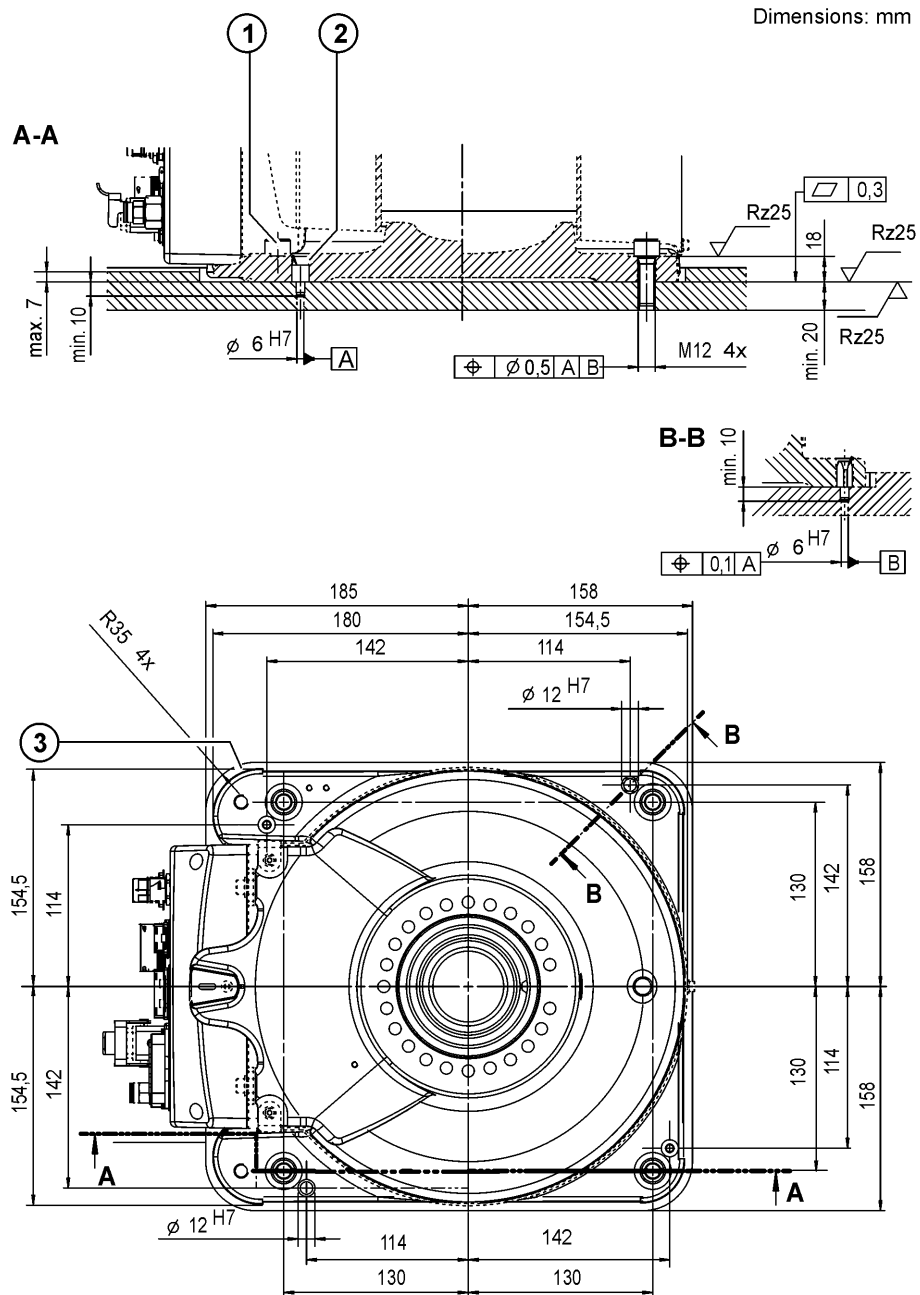


**Fig. 6-4: Machine frame mounting**

- 1 Machine frame
- 2 Mounting surface, machined
- 3 Locating pin, flat-sided
- 4 Allen screw
- 5 Locating pin, round

**Dimensioned  
drawing**

The following diagram contains all the necessary information that must be observed when preparing the mounting surface and the holes (>>> Fig. 6-5).



**Fig. 6-5: Machine frame mounting, dimensioned drawing**

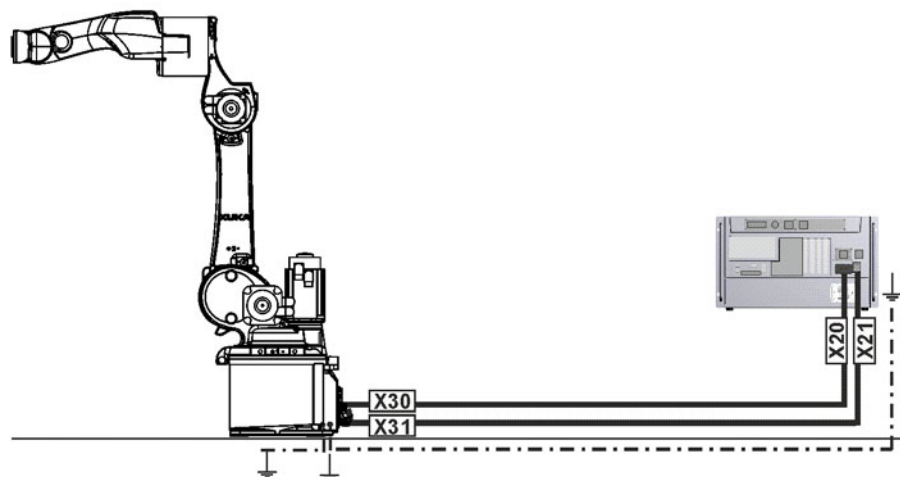
- 1 Allen screw
- 2 Locating pin
- 3 Mounting surface, machined

## 6.4 Connecting cables and interfaces

### Connecting cables

The connecting cables comprise all the cables for transferring energy and signals between the robot and the robot controller. They are connected to the robot junction boxes with connectors. Connection to the controller is always the same, irrespective of the controller variant.

The following diagram provides an overview of the available connecting cables (>>> Fig. 6-6).



**Fig. 6-6: Connecting cables, overview**

The following connecting cables are available and can be used irrespective of the cable set in the robot:

- Motor cable, X20 - X30
- Data cable, X21 - X31
- Ground conductor (optional)

Cable lengths of 1 m, 4 m, 7 m, 15 m and 25 m are available as standard. The maximum length of the connecting cables must not exceed 25 m. Thus if the robot is operated on a linear unit which has its own energy supply chain, these cable lengths must also be taken into account.

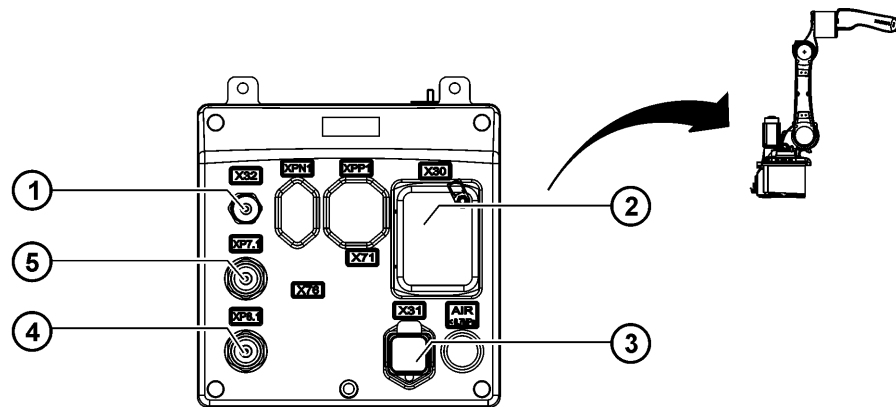
For the connecting cables, an additional ground conductor is always required to provide a low-resistance connection between the robot and the control cabinet in accordance with DIN EN 60204. A second ground conductor must additionally be installed between the robot and the system. The ground conductors are connected via ring cable lugs. The threaded bolts for connecting the two ground conductors are located on the base frame of the robot.

The following points must be observed when planning and routing the connecting cables:

- The bending radius for fixed routing must not be less than 75 mm for motor cables and 45 mm for control cables.
- Protect cables against exposure to mechanical stress.
- Route the cables without mechanical stress – no tensile forces on the connectors
- Cables are only to be installed indoors.
- Observe the permissible temperature range (fixed installation) of 263 K (-10 °C) to 343 K (+70 °C).
- Route the motor cables and the data cables separately in metal ducts; if necessary, additional measures must be taken to ensure electromagnetic compatibility (EMC).

### Interface A1

Interface A1 (>>> Fig. 6-7 ) on the base frame is illustrated below for robots with the standard cable set:



**Fig. 6-7: Interface A1**

- |   |                     |   |                     |
|---|---------------------|---|---------------------|
| 1 | Mastering cable X32 | 4 | External axis XP8.1 |
| 2 | Motor cable X30     | 5 | External axis XP7.1 |
| 3 | Data cable X31      |   |                     |



## 7 Transportation

### 7.1 Transporting the robot

Move the robot into its transport position (>>> Fig. 7-1 ) each time it is transported. It must be ensured that the robot is stable while it is being transported. The robot must remain in its transport position until it has been fastened in position. Before the robot is lifted, it must be ensured that it is free from obstructions. Remove all transport safeguards, such as nails and screws, in advance. First remove any rust or glue on contact surfaces.

#### Transport position

The transport position is the same for all robots of this model. The robot is in the transport position when the axes are in the following positions:

Axis	A1	A2	A3	A4	A5	A6
Angle	0°	-124°	+180°	0°	0°	0°

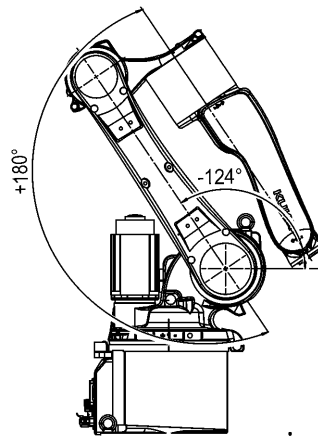


Fig. 7-1: Transport position

#### Transport dimensions

The transport dimensions for the robot can be noted from the following figures. The position of the center of gravity and the weight vary according to the specific configuration. The specified dimensions refer to the robot without equipment.

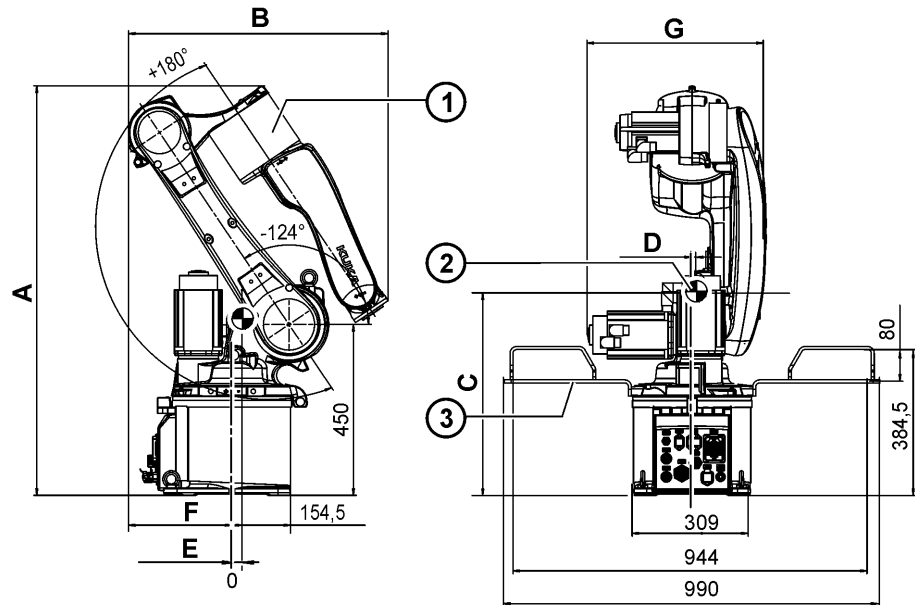


Fig. 7-2: Transportation, dimensions

- 1 Robot
- 2 Center of gravity
- 3 Fork slots

Transport dimensions and centers of gravity

Robot	A	B	C	D	E	F	E
KR 8 R1420 arc HW	1079	685	540	12.3	25.6	273.1	470
KR 8 R1620 arc HW	1244	684.6	652.3	15.4	-20.5	384.9	484.2
KR 6 R1820 arc HW	1244	802	574.4	15.5	-6.9	384.9	484.2

**Transportation**

The floor-mounted robot is transported using a crane or fork lift truck. The ceiling-mounted robot in its installation position can only be transported outside the transport frame using a fork lift truck. In the transport frame, transportation with fork lift truck or crane is possible.

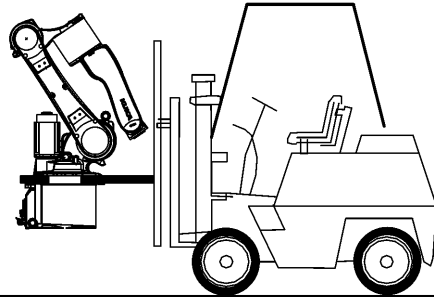
**⚠ WARNING** Use of unsuitable handling equipment may result in damage to the robot or injury to persons. Only use authorized handling equipment with a sufficient load-bearing capacity. Only transport the robot in the manner specified here.

**Transportation by fork lift truck**

For transport by fork lift truck (>>> Fig. 7-3 ), the fork slots must be properly and fully installed.

The robot must be in the transport position.





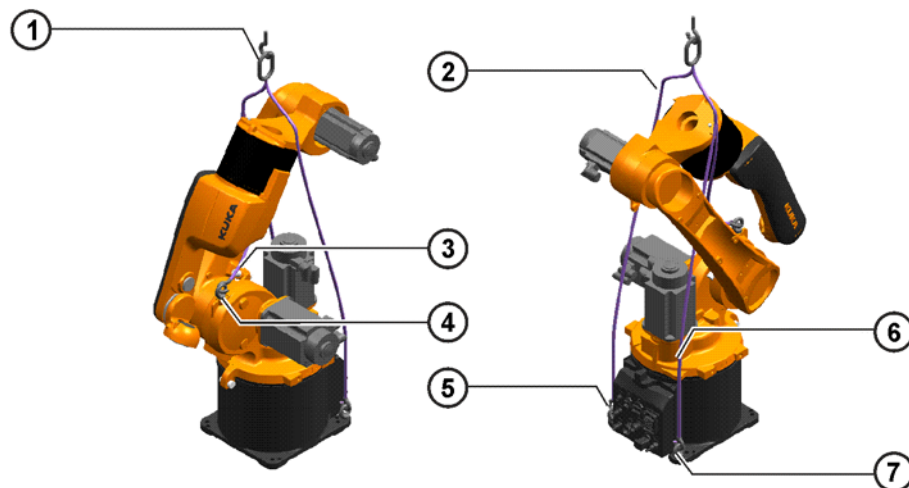
**Fig. 7-3: Transportation by fork lift truck**

### Transportation using lifting tackle

The floor-mounted robot can be transported using a crane and lifting tackle (>>> Fig. 7-4 ). For this, it must be in the transport position. The lifting tackle is attached to eyebolts that are screwed into the rotating column (1x) and into the base frame (2x). All ropes of the lifting tackle must be long enough and must be routed in such a way that the robot is not damaged. Installed tools and pieces of equipment can cause undesirable shifts in the center of gravity. These must therefore be removed if necessary.

The eyebolts must be removed from the rotating column after transportation.

**⚠ WARNING** The robot may tip during transportation. Risk of personal injury and damage to property.  
If the robot is being transported using lifting tackle, special care must be exercised to prevent it from tipping. Additional safeguarding measures must be taken. It is forbidden to pick up the robot in any other way using a crane!



**Fig. 7-4: Transportation by crane**

- 1 Lifting tackle assembly
- 2 Leg G1
- 3 Leg G2
- 4 M12 eyebolt, rotating column, front
- 5 M12 eyebolt, base frame, left
- 6 Leg G3
- 7 M12 eyebolt, base frame, right



## 8 Options

### 8.1 Release device (optional)

**Description** The release device can be used to move the manipulator manually after an accident or malfunction. The release device can be used for the motors of axes A1 to A3. It cannot be used for axes A4 to A6, as these motors are not accessible. It is only for use in exceptional circumstances and emergencies (e.g. for freeing people).

The release device is mounted on the base frame of the manipulator. This assembly also includes a ratchet and a set of plates with one plate for each motor. The plate specifies the direction of rotation for the ratchet and shows the corresponding direction of motion of the manipulator.



## 9 KUKA Service

### 9.1 Requesting support

<b>Introduction</b>	This documentation provides information on operation and operator control, and provides assistance with troubleshooting. For further assistance, please contact your local KUKA subsidiary.
<b>Information</b>	<p><b>The following information is required for processing a support request:</b></p> <ul style="list-style-type: none"> <li>■ Description of the problem, including information about the duration and frequency of the fault</li> <li>■ As comprehensive information as possible about the hardware and software components of the overall system</li> </ul> <p>The following list gives an indication of the information which is relevant in many cases:</p> <ul style="list-style-type: none"> <li>■ Model and serial number of the kinematic system, e.g. the manipulator</li> <li>■ Model and serial number of the controller</li> <li>■ Model and serial number of the energy supply system</li> <li>■ Designation and version of the system software</li> <li>■ Designations and versions of other software components or modifications</li> <li>■ Diagnostic package KRCDiag</li> </ul> <p>Additionally for KUKA Sunrise: Existing projects including applications For versions of KUKA System Software older than V8: Archive of the software (KRCDiag is not yet available here.)</p> <ul style="list-style-type: none"> <li>■ Application used</li> <li>■ External axes used</li> </ul>

### 9.2 KUKA Customer Support

<b>Availability</b>	KUKA Customer Support is available in many countries. Please do not hesitate to contact us if you have any questions.
<b>Argentina</b>	<p>Ruben Costantini S.A. (Agency) Luis Angel Huergo 13 20 Parque Industrial 2400 San Francisco (CBA) Argentina Tel. +54 3564 421033 Fax +54 3564 428877 ventas@costantini-sa.com</p>
<b>Australia</b>	<p>KUKA Robotics Australia Pty Ltd 45 Fennell Street Port Melbourne VIC 3207 Australia Tel. +61 3 9939 9656 info@kuka-robotics.com.au www.kuka-robotics.com.au</p>

<b>Belgium</b>	KUKA Automatisering + Robots N.V. Centrum Zuid 1031 3530 Houthalen Belgium Tel. +32 11 516160 Fax +32 11 526794 info@kuka.be www.kuka.be
<b>Brazil</b>	KUKA Roboter do Brasil Ltda. Travessa Claudio Armando, nº 171 Bloco 5 - Galpões 51/52 Bairro Assunção CEP 09861-7630 São Bernardo do Campo - SP Brazil Tel. +55 11 4942-8299 Fax +55 11 2201-7883 info@kuka-roboter.com.br www.kuka-roboter.com.br
<b>Chile</b>	Robotec S.A. (Agency) Santiago de Chile Chile Tel. +56 2 331-5951 Fax +56 2 331-5952 robotec@robotec.cl www.robotec.cl
<b>China</b>	KUKA Robotics China Co., Ltd. No. 889 Kungang Road Xiaokunshan Town Songjiang District 201614 Shanghai P. R. China Tel. +86 21 5707 2688 Fax +86 21 5707 2603 info@kuka-robotics.cn www.kuka-robotics.com
<b>Germany</b>	KUKA Roboter GmbH Zugspitzstr. 140 86165 Augsburg Germany Tel. +49 821 797-1926 Fax +49 821 797-41 1926 Hotline.robotics.de@kuka.com www.kuka-roboter.de

**France** KUKA Automatismes + Robotique SAS  
Techvallée  
6, Avenue du Parc  
91140 Villebon S/Yvette  
France  
Tel. +33 1 6931660-0  
Fax +33 1 6931660-1  
commercial@kuka.fr  
www.kuka.fr

**India** KUKA Robotics India Pvt. Ltd.  
Office Number-7, German Centre,  
Level 12, Building No. - 9B  
DLF Cyber City Phase III  
122 002 Gurgaon  
Haryana  
India  
Tel. +91 124 4635774  
Fax +91 124 4635773  
info@kuka.in  
www.kuka.in

**Italy** KUKA Roboter Italia S.p.A.  
Via Pavia 9/a - int.6  
10098 Rivoli (TO)  
Italy  
Tel. +39 011 959-5013  
Fax +39 011 959-5141  
kuka@kuka.it  
www.kuka.it

**Japan** KUKA Robotics Japan K.K.  
YBP Technical Center  
134 Godo-cho, Hodogaya-ku  
Yokohama, Kanagawa  
240 0005  
Japan  
Tel. +81 45 744 7691  
Fax +81 45 744 7696  
info@kuka.co.jp

**Canada** KUKA Robotics Canada Ltd.  
6710 Maritz Drive - Unit 4  
Mississauga  
L5W 0A1  
Ontario  
Canada  
Tel. +1 905 670-8600  
Fax +1 905 670-8604  
info@kukarobotics.com  
www.kuka-robotics.com/canada

<b>Korea</b>	KUKA Robotics Korea Co. Ltd. RIT Center 306, Gyeonggi Technopark 1271-11 Sa 3-dong, Sangnok-gu Ansan City, Gyeonggi Do 426-901 Korea Tel. +82 31 501-1451 Fax +82 31 501-1461 info@kukakorea.com
<b>Malaysia</b>	KUKA Robot Automation (M) Sdn Bhd South East Asia Regional Office No. 7, Jalan TPP 6/6 Taman Perindustrian Puchong 47100 Puchong Selangor Malaysia Tel. +60 (03) 8063-1792 Fax +60 (03) 8060-7386 info@kuka.com.my
<b>Mexico</b>	KUKA de México S. de R.L. de C.V. Progreso #8 Col. Centro Industrial Puente de Vigas Tlalnepantla de Baz 54020 Estado de México Mexico Tel. +52 55 5203-8407 Fax +52 55 5203-8148 info@kuka.com.mx www.kuka-robotics.com/mexico
<b>Norway</b>	KUKA Sveiseanlegg + Roboter Sentrumsvegen 5 2867 Hov Norway Tel. +47 61 18 91 30 Fax +47 61 18 62 00 info@kuka.no
<b>Austria</b>	KUKA Roboter CEE GmbH Gruberstraße 2-4 4020 Linz Austria Tel. +43 7 32 78 47 52 Fax +43 7 32 79 38 80 office@kuka-roboter.at www.kuka.at



**Poland** KUKA Roboter CEE GmbH Poland  
Spółka z ograniczoną odpowiedzialnością  
Oddział w Polsce  
Ul. Porcelanowa 10  
40-246 Katowice  
Poland  
Tel. +48 327 30 32 13 or -14  
Fax +48 327 30 32 26  
ServicePL@kuka-roboter.de

**Portugal** KUKA Robots IBÉRICA, S.A.  
Rua do Alto da Guerra n° 50  
Armazém 04  
2910 011 Setúbal  
Portugal  
Tel. +351 265 729 780  
Fax +351 265 729 782  
info.portugal@kukapt.com  
www.kuka.com

**Russia** KUKA Robotics RUS  
Werbnaja ul. 8A  
107143 Moskau  
Russia  
Tel. +7 495 781-31-20  
Fax +7 495 781-31-19  
info@kuka-robotics.ru  
www.kuka-robotics.ru

**Sweden** KUKA Svetsanläggningar + Robotar AB  
A. Odhners gata 15  
421 30 Västra Frölunda  
Sweden  
Tel. +46 31 7266-200  
Fax +46 31 7266-201  
info@kuka.se

**Switzerland** KUKA Roboter Schweiz AG  
Industriestr. 9  
5432 Neuenhof  
Switzerland  
Tel. +41 44 74490-90  
Fax +41 44 74490-91  
info@kuka-roboter.ch  
www.kuka-roboter.ch

<b>Spain</b>	KUKA Robots IBÉRICA, S.A. Pol. Industrial Torrent de la Pastera Carrer del Bages s/n 08800 Vilanova i la Geltrú (Barcelona) Spain Tel. +34 93 8142-353 Fax +34 93 8142-950 comercial@kukarob.es www.kuka.es
<b>South Africa</b>	Jendamark Automation LTD (Agency) 76a York Road North End 6000 Port Elizabeth South Africa Tel. +27 41 391 4700 Fax +27 41 373 3869 www.jendamark.co.za
<b>Taiwan</b>	KUKA Robot Automation Taiwan Co., Ltd. No. 249 Pujong Road Jungli City, Taoyuan County 320 Taiwan, R. O. C. Tel. +886 3 4331988 Fax +886 3 4331948 info@kuka.com.tw www.kuka.com.tw
<b>Thailand</b>	KUKA Robot Automation (M)SdnBhd Thailand Office c/o Maccall System Co. Ltd. 49/9-10 Soi Kingkaew 30 Kingkaew Road Tt. Rachatheva, A. Bangpli Samutprakarn 10540 Thailand Tel. +66 2 7502737 Fax +66 2 6612355 atika@ji-net.com www.kuka-roboter.de
<b>Czech Republic</b>	KUKA Roboter Austria GmbH Organisation Tschechien und Slowakei Sezemická 2757/2 193 00 Praha Horní Počernice Czech Republic Tel. +420 22 62 12 27 2 Fax +420 22 62 12 27 0 support@kuka.cz

**Hungary** KUKA Robotics Hungaria Kft.  
Fő út 140  
2335 Taksony  
Hungary  
Tel. +36 24 501609  
Fax +36 24 477031  
info@kuka-robotics.hu

**USA** KUKA Robotics Corporation  
51870 Shelby Parkway  
Shelby Township  
48315-1787  
Michigan  
USA  
Tel. +1 866 873-5852  
Fax +1 866 329-5852  
info@kukarobotics.com  
www.kukarobotics.com

**UK** KUKA Robotics UK Ltd  
Great Western Street  
Wednesbury West Midlands  
WS10 7LL  
UK  
Tel. +44 121 505 9970  
Fax +44 121 505 6589  
service@kuka-robotics.co.uk  
www.kuka-robotics.co.uk



## Index

### Numbers

2006/42/EC 76  
 2014/30/EU 76  
 2014/68/EU 76  
 95/16/EC 76

### A

Accessories 9, 65  
 Angle of rotation 47  
 ANSI/RIA R.15.06-2012 76  
 Applied norms and regulations 76  
 Automatic mode 74  
 Axis data, KR 6 R1820 arc HW 34  
 Axis data, KR 8 R1420 arc HW 14  
 Axis data, KR 8 R1620 arc HW 24  
 Axis limitation, mechanical 69  
 Axis range 67

### B

Base frame 10, 12  
 Basic data, KR 6 R1820 arc HW 33  
 Basic data, KR 8 R1420 arc HW 13  
 Basic data, KR 8 R1620 arc HW 23  
 Brake defect 71  
 Brake release device 70  
 Braking distance 67

### C

CE mark 66  
 Center of gravity 22, 33, 43, 87  
 Cleaning work 75  
 Connecting cables 9, 13, 24, 34, 65, 83  
 Connecting cables, cable lengths 14, 24, 34  
 Counterbalancing system 75

### D

Danger zone 67  
 Declaration of conformity 66  
 Declaration of incorporation 65, 66  
 Decommissioning 76  
 Description of the robot system 9  
 Dimensions, transport 22, 33, 43, 87  
 Disposal 76  
 Documentation, industrial robot 5

### E

EC declaration of conformity 66  
 Electrical installations 10, 12  
 Electromagnetic compatibility (EMC) 77  
 EMC Directive 66, 76  
 EN 60204-1 + A1 77  
 EN 61000-6-2 77  
 EN 61000-6-4 + A1 77  
 EN 614-1 + A1 76  
 EN ISO 10218-1 76  
 EN ISO 12100 76  
 EN ISO 13849-1 76  
 EN ISO 13849-2 76

EN ISO 13850 76  
 Extension 47  
 External axes 65, 67

### F

Faults 71  
 Foundation loads 21, 31, 41  
 Function test 73

### G

General information 46  
 General safety measures 70

### H

Handling equipment 88  
 Hazardous substances 75  
 Hollow-shaft wrist 18, 29, 39  
 Hollow-shaft wrist/arm 10, 11

### I

Industrial robot 65  
 Intended use 66  
 Interfaces 83  
 Introduction 5

### K

KCP 9, 47, 67, 71  
 Keyboard, external 71  
 KUKA Customer Support 93  
 KUKA smartPAD 9, 67

### L

Labeling 70  
 Liability 65  
 Lifting tackle 89  
 Linear unit 65  
 Link arm 10, 11  
 Loads acting on the foundation, KR 6 R1820 arc HW 41  
 Loads acting on the foundation, KR 8 R1420 arc HW 21  
 Loads acting on the foundation, KR 8 R1620 arc HW 31  
 Low Voltage Directive 66

### M

Machine frame mounting with centering 81  
 Machinery Directive 66, 76  
 main axes 46  
 Maintenance 74  
 Manipulator 9, 65, 67  
 Manual mode 73  
 Mechanical end stops 69  
 Minimum bending radius 14, 24, 34  
 Mounting base with centering 79  
 Mounting flange, HW 18, 29, 39  
 Mouse, external 71

**O**

Operator 67, 68  
Options 9, 12, 65, 91  
Overload 71

**P**

Payload diagram 18, 28, 39  
Payloads, KR 6 R1820 arc HW 37  
Payloads, KR 8 R1420 arc HW 17  
Payloads, KR 8 R1620 arc HW 27  
Personnel 67  
Planning 79  
Plant integrator 67  
Plates and labels 43  
Positioner 65  
Pressure Equipment Directive 75, 76  
Preventive maintenance work 75  
Principal components 10  
Product description 9  
Program override, motion velocity 47  
Protective circuit 12  
Protective equipment, overview 69  
Purpose 7

**R**

Reaction distance 67  
Recommissioning 72  
Release device 70  
Release device, option 91  
Repair 74  
Robot controller 9, 65  
Robot system 9  
Rotating column 10, 11

**S**

Safety 65  
Safety instructions 5  
Safety of machinery 76, 77  
Safety zone 67, 68  
Safety, general 65  
Service life 67  
Service, KUKA Roboter GmbH 93  
smartPAD 47, 67, 71  
Software 9, 65  
Start-up 72  
STOP 0 47, 67  
STOP 1 47, 67  
STOP 2 67  
Stop category 0 67  
Stop category 1 67  
Stop category 2 67  
Stop signal 46  
Stopping distance 46, 67  
Stopping distances 46, 48, 53, 58  
Stopping time 46  
Stopping times 46, 48, 53, 58  
Storage 76  
Supplementary load 19, 29, 40  
Support request 93  
System integrator 66, 67, 68

**T**

T1 67  
T2 67  
Teach pendant 9, 65  
Technical data 13  
Technical data, KR 6 R1820 arc HW 33  
Technical data, KR 8 R1420 arc HW 13  
Technical data, KR 8 R1620 arc HW 23  
Terms used 47  
Terms used, safety 67  
Training 7  
Transport dimensions, KR 6 R1820 arc HW 43  
Transport dimensions, KR 8 R1420 arc HW 22  
Transport dimensions, KR 8 R1620 arc HW 33  
Transport position 87  
Transportation 72, 87  
Turn-tilt table 65

**U**

Use, contrary to intended use 65  
Use, improper 65  
User 67, 68  
Users 7

**W**

Warnings 5  
Workspace 67, 68

